



Verieri
SPA

8.23G

ARTICULATED MULTIFUNCTION MACHINE

PRELIMINARY

› Max power 106 HP ›

Bucket capacity 1.1 - 1.4 m³ ›

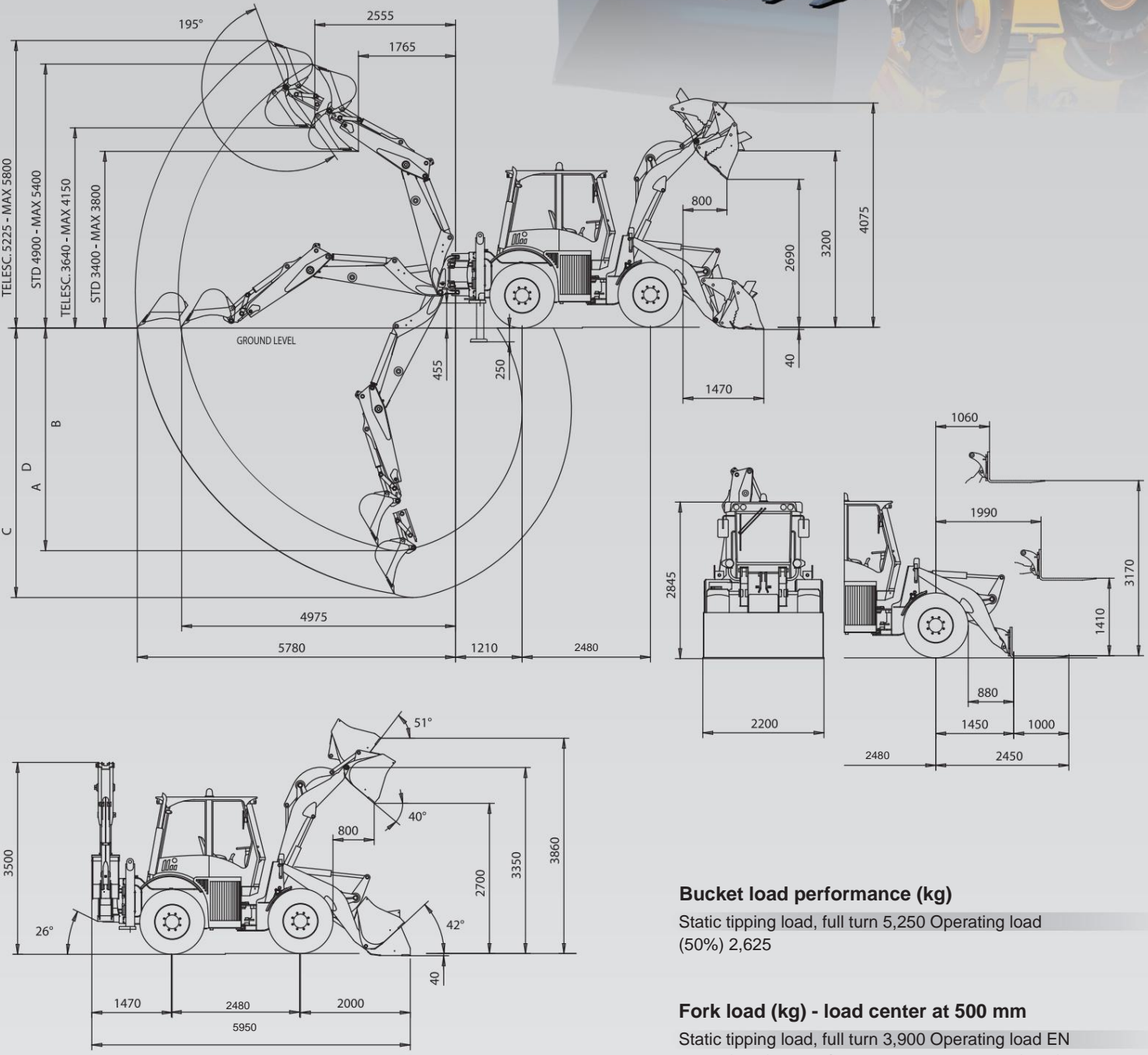
Max digging depth 4.60 m (5.40 m)

› Maximum permissible weight 8490 kg ›

Hydrostatic transmission ›

4

wheel drive › Stage V / Tier 4f engine



Bucket load performance (kg)

Static tipping load, full turn 5,250 Operating load (50%) 2,625

Fork load (kg) - load center at 500 mm

Static tipping load, full turn 3,900 Operating load EN 474-3 (80%) 3,120 Operating load EN 474-3 (60%) 2,340 Operating load DIN 24094 (50%) 1,950

DIESEL ENGINE

4-cylinder in-line engine, supercharged, charge air cooling, electronically controlled common-rail, exhaust gas recirculation, water-cooled, dry filtration, oxidation catalyst (DOC), diesel particulate filter (DPF), selective catalytic reduction (SCR) .

Engine emitted according to EC Directive 97/68 - Stage V/Tier 4f

Type	Deutz TCD 3.6 L4
max power	78 kW - 106 HP Rpm
setting	2,300
ISO/TR 14396 power	74.4 kW - 101 HP
Potenza EEC 80/1269	74.4 kW - 101 CV
Maximum Torque	410 Nm
Bore	mm 98
Race	mm 120
Engine capacity	cm3 3.620

ELECTRIC SYSTEM

Drums.....	12 Volts
Capacity EN 60095-1	110 Ah - 1100 A
Alternator	95 A
Reverse horn	Standard
Electrical system.....	IP 67 DIN 40050

TRANSMISSION

Hydrostatic with automatic power regulation in closed circuit with variable displacement pump and motor.
2-speed mechanical gearbox: 2 working speeds (AV/AR) and 2 transfer speeds (AV/AR).

Working speed 1st	forward	backwards
gear km/h 2nd gear	0÷6	0÷6
km/h	0÷12	0÷12
Forward transfer speed 1st gear km/h		backwards
0÷18 2nd gear km/h 0÷40		0÷18
		0÷40

ASSAULT

Axles designed for Heavy Duty uses. 4 wheel drive.
Epicyclic reduction gear on each wheel. Front axle rigid. Oscillating rear axle with total excursion of 20° and "Limited Slip" self-locking differential. Rear axle oscillation lock.

BRAKING SYSTEM

Service brakes: with multiple discs in oil bath on the rear axle acting on the 4 wheels. Parking brake: mechanical on the drive shaft manually operated.

TIRES

Standard	16/70 - 24
On request	15-22.5 • 405/70 R24

PLANT FROM STEERING

Articulated chassis with power assisted steering by LOAD SENSING power steering.

Steering angle.....	80°
Internal tire turning radius	mm 3.000
External tire turning radius	mm 5.105
Outer bucket turning radius	mm 5.480

HYDRAULIC SYSTEM

Consisting of two gear pumps, the first for the blade and steering circuit, the second for the fan circuit, with double rotation speed.

"Combined Flow" system circuit for feeding the rear distributor. 2-section modular distributor for the shovel and 6-section modular distributor for the regenerative backhoe, with unloading valve to reduce transfer consumption.

Double effect jacks. Rear-excavator 1st arm cylinder with brake at maximum height. Cooling radiator
Hydraulic oil. Full flow filter on the return circuit.

Portata std	lt/1' Portata	88
max	lt/1' 125	
Loader calibration pressure	230 bar	
Steering calibration pressure.....	175 bar	
Lifting jacks.....	mm 85x580	
Bucket jacks	mm 90x402	

Shovel commands

Single control lever with 4-position lift and 3-position bucket control.

Backhoe controls

Two joystick control levers.
Two independent hydraulically controlled stabilizers.
Lateral translation with four hydraulic locks.

SUPPLIES

Motor	lt Front diff. +	8
distributor	lt Rear diff.	10,5
lt Hydraulic circuit.....	lt Brake	9,2
circuit	lt	85
Fuel	lt Water	0,6
radiator	l	82
AdBlue	lit	24
		20

TECHNICAL FEATURES

Charger:

Standard bucket capacity	m3 1.10
Standard bucket width	mm 2.200
Breakout force	kg 6,900
Max. lifting hydraulic capacity max. height. kg	4,100
Unloading height at the pin	mm 3.350
Discharge height at 40°	mm 2.700
Discharge distance at 40°.....	mm 800

Backhoe:

Guy	VF 4.35C
Standard bucket capacity	lt 150
Standard bucket width	mm 500
Excavation arm penetration force	kg 2.550
Maximum breaking force at the bucket tooth	kg 4.560
Lifting capacity at the pin at max height ...	kg 1,400
Brandeggio.....	180°
A - Max digging depth	mm 4.600
B - Standard digging depth (SAE)	mm 4,300
C - Max depth with telescopic arm (opt.)....	mm 5.400
D - Standard digging depth (SAE) with telesc. (opt)..	mm 5.100

DIMENSIONS AND WEIGHTS

Max length in transfer	mm 6.050
Max width in transfer	mm 2.200
External tire width.....	mm 2.060
Roadway.....	mm 1,650
Max height (standard arm).....	mm 3.500
Free light	mm 320
Standard operating weight.....	kg 7,500
Maximum permitted weight	kg 8,490



Via Piratello, 106 - 48022 Lugo (RA) ITALY
Tel. +39 0545 904411 Fax +39 0545 30389
e-mail: info@vf-venieri.com www.vf-venieri.com
Spare parts service
Tel. +39 0545 904429 Fax +39 0545 24555

The illustrations in this brochure do not necessarily show the product in the standard version. The data indicated in this brochure are only indicative. VF Venieri Spa reserves the right to modify them at any time and without notice, in the constant search to improve its products.