



DEMOLITION TOOLS PRODUCT RANGE

The Furukawa rock drill represents premium products you can trust. This delivery schedule gives you an overview of our demolition tool product range.



The company	Page 04 - 07
FRD - Furukawa Rock Drill	06
Company milestones	07
reinforcement demolition tools	Page 08 - 21
General information about the reinforcement range.	10
The VXB series	Page 11/14 - 15
General information about the Booster demolition tongs	11
Features and properties	11
Technical data	14 - 15
The VSB Series	Page 12/14 - 15
General Information on Booster Concrete Sprayers	12
Features and properties	12
Technical data	14 - 15
VMB series	Page 13/14 - 15
General information about Booster combination scissors	13
Features and properties	13
Technical data	14 - 15
The VMXB series	Page 16 - 21
General information about Booster multiprocessors	16 - 17
Features and properties	18 - 19
Technical data of P & S jaw sets	18 - 19
Technical data of the M, C and SW jaw sets	20 - 21
demolition tools	Page 22 - 45
The VX Series	Page 24 - 25
General information about demolition pliers.	24
Features and properties	25
Technical data	24 - 25
To Series VS	Page 26 - 27
General information about concrete sprayers.	26
Features and properties	27
Technical data	26 - 27

The VM series	Page 28 - 29
General information about combination scissors.	28
Features and properties	29
Technical data	28 - 29
The V Series	Page 30 - 37
General information about universal pliers.	30
Features and properties	31
Technical data of the base.	31
Technical data of P & S jaw sets	32-33
Technical data of M&C jaw sets	34 - 35
Technical data of T & W jaw sets	36 - 37
La Serie VMX	Page 38 - 45
General information about multiprocessors.	38
Characteristics and properties	39
Technical data of the base.	39
Technical data of P & S jaw sets	40 - 41
Technical data of M&C jaw sets	42 - 43
Technical data of SW jaw sets	44 - 45
Recycling	Page 46 - 55
The virtual reality series	Page 48 - 49
General information on mobile shears for steel and scrap	48
Features and properties	49
Technical data	48 - 49
To the RC Series	Page 50 - 51
General information about rail destroyers.	50
Features and properties	51
Technical data	50 - 51
The FDG series	Page 52 - 53
General information about demolition and grading buckets	52
Features and properties	53
Technical data	52 - 53
The FMP series	Page 54 - 55
General information about universal clamps	54
Features and properties	55
Technical data	54 - 55



TIMELY, SECURE, ON SITE

Our service for you

FRD tools are premium devices with whom our clients enjoy working. The series was developed for different people.

scopes of application, supporting devices and materials. A wide network of distributors selected is available to provide you with the best possible support.

They provide you with reliable support in all aspects of our product lines and ensure that find machines that suit your needs.

According to our quality standards, We also offer you at any time our technical expertise for specific questions.

Working closely together, we create all the conditions so that you always I can work professionally. Take advantage of our extensive knowledge and our intelligent machine program with superior quality.

Please feel free to contact us if you have any questions.

THAT'S WHAT WE REPRESENT



HIGH QUALITY
QUALITY



RELIABLE
PRODUCTS



ABOVE
CUSTOMER SERVICE

THE DESIRE FOR PERFECTION

FRD - FURUKAWA ROCK DRILL

Almost no other country in the world is as committed to precision work and innovative technology like Japan.

Japanese manufacturing art with its demand for perfection is deeply rooted in the country's tradition.

and has been used for centuries - maintains. All Furukawa Rock products Drill (FRD) carry this Phi - loss bill. The company owes its name to

About Ichibei Furukawa, who started copper mining operations in 1875. He himself repaired and maintained the imported rock drills he used in the copper mine de Ashio.

To be able to use machines for extraction of rocks that meet your requirements:

These words were enough, he built his first devices in 1914. At the same time,

They must adapt perfectly to the physique of Japanese machinists. With these necklaces -

A few years later, he founded his company's success with powerful tools and extremely robust: take it.

Today, the Furukawa Group is made up of a total of 8 company groups: pen, in which the deep knowledge of me - Metal processing as well as the design and construction of top-quality machines play an important role. The Hydrau

FRD hammers, surface drilling rigs, head drilling rigs and hydraulic drilling tools

demolition are now used all over the world.

Premium machines break, fall apart.

Shreds, grips and shreds a wide variety of materials and will provide you with reliable assistance in various applications: in -

frastrukturbau, Abbruch, bei Recyc - ling, in quarries, open pit mining, underground mining and in natural stone quarries - chen. The FRD is at your disposal with branches

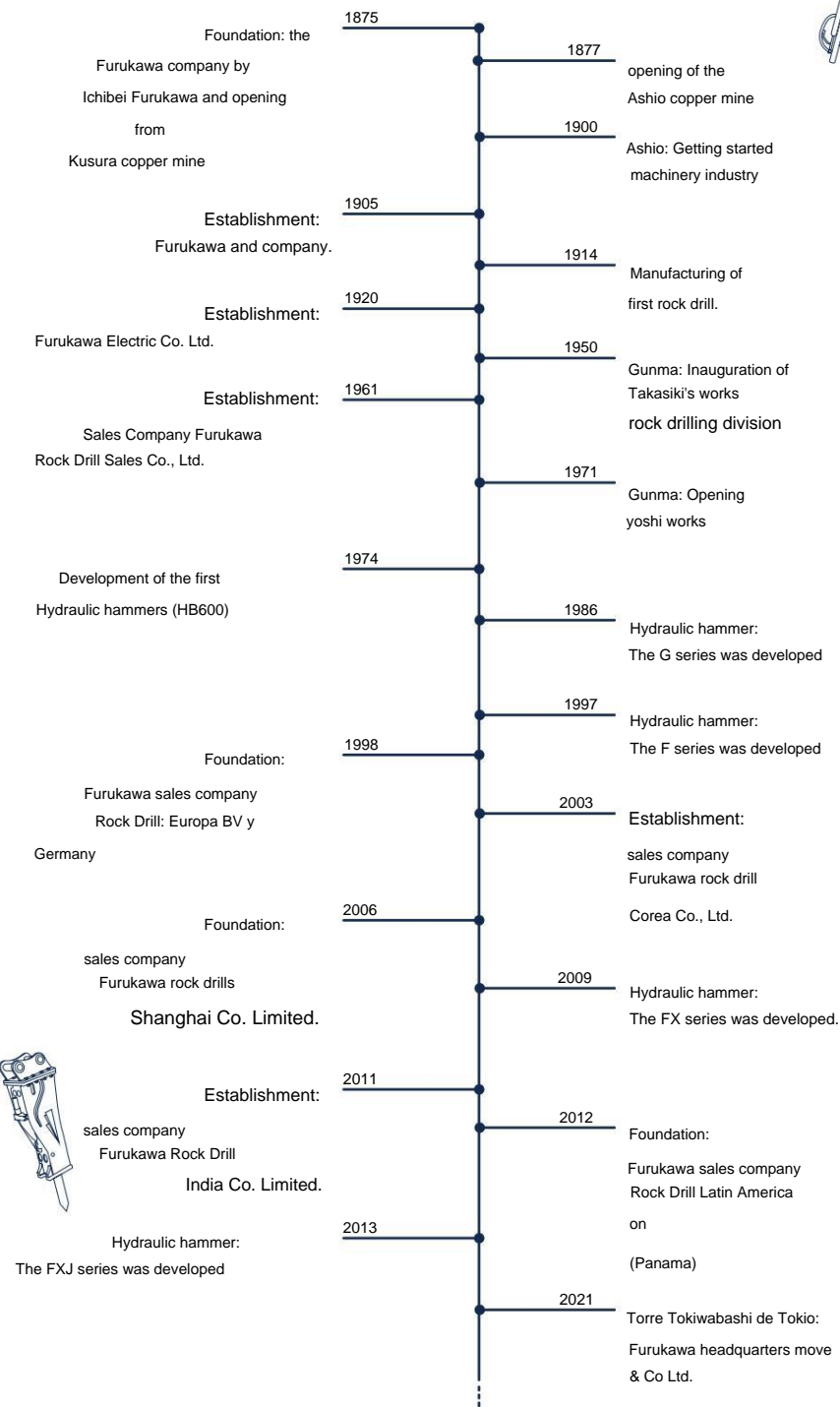
in Europe, associations - Western countries, Latin America, Korea and China provide reliable support.

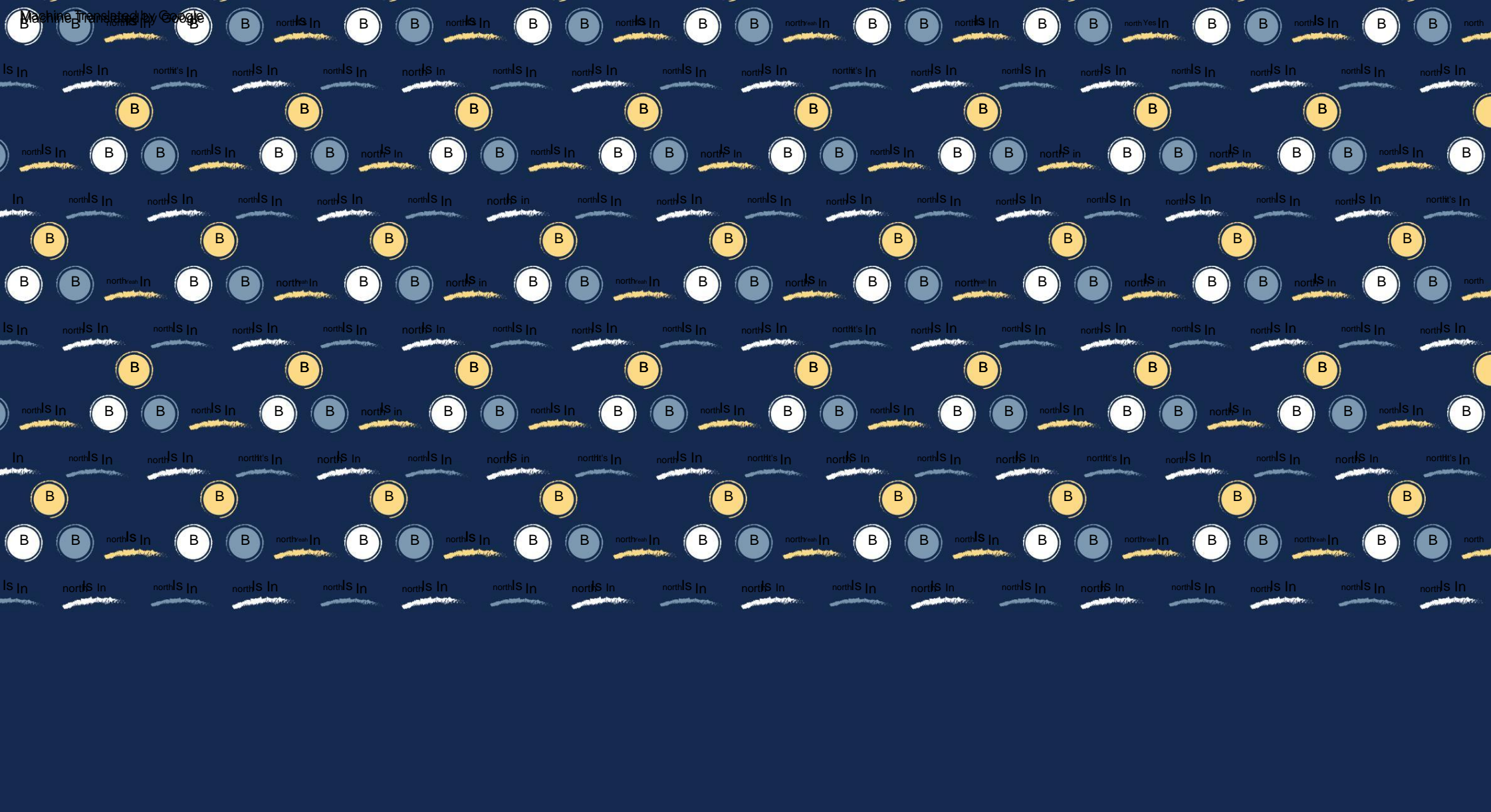
The desire for perfection -

The spirit continues to drive us. Of -

The Group's Innovation Laboratory

Furukawa continually researches technical innovations for increasingly powerful, durable and easy-to-maintain machines you can rely on.





BOOSTER

DEMOLITION TOOLS

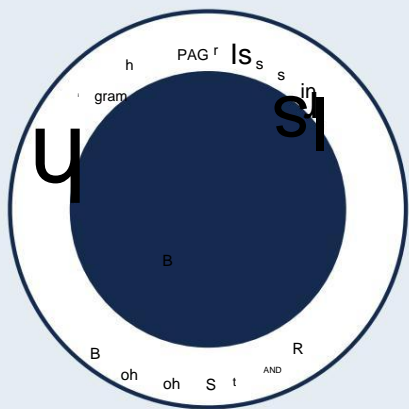
DIE BOOSTERLINE

reinforcement demolition tools

The booster is a system that allows the performance of a hydraulic cylinder to be increased by increasing the internal pressure compared to the inlet pressure.

In the work cycle, during the closing of the jaw, the device starts to work automatically when the requested force increases by

increases the pressure supplied to the carrier device according to the boost ratio.



Features and properties

- Greater cutting and crushing power
- Reduction of the consumption of fuel
- Faster duty cycle
- Less environmental impact
- Optimal use of the carrier council
- Higher productivity
- Cost effective and convenient

Information: The technical data of the Boosterline is subject to change without prior notice from the manufacturer.

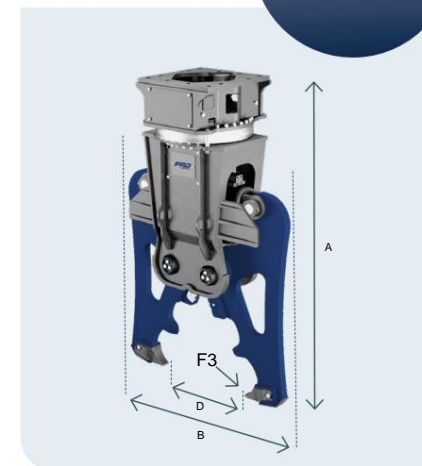
VXB SERIES | IMPULSE LINE

The reinforcement

demolition pliers

The VXB series has been specially developed for primary demolition work and is the most suitable tool for demolition, standard and long front mini excavators with a long reach and a working height of more than 20m.

Equipped with one cylinder, two pivot points and wide opening with constant closing force for specialized demolition of high-rise structures.



VXB Series Special Features

7 sizes

360°

Rotation



Booster

Features and properties

- 360° rotation in a compact format
- Interchangeable and reversible messer
- Designed for optimal placement and precise handling
- Easily accessible hydraulic system thanks to screwed service covers
- Center of gravity closest to the user device
- Interchangeable teeth with high cutting performance
- Fully protected cylinder

THE VSB SERIES | REINFORCEMENT LINE

the reinforcement

concrete pulverizer

VSB Series Sprayer with BOOSTER

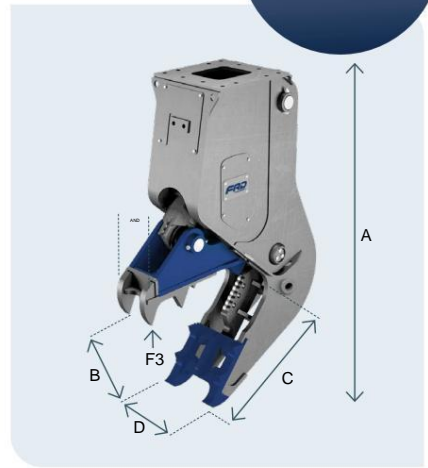
for 16 to 35 ton conveyors is an excellent option for recyclers who need to pre-crush concrete resulting from building demolition and prepare it for fine crushing.

Designed for secondary demolition.


The concrete pieces resulting from demolition can be finely ground on site. Concrete separates efficiently

of the armor and is reduced to save volume, landfill and transportation costs.

Technical data on page 14/15



VXB Series Special Features

3 sizes	16 - 35 Carrier class	 Booster
---------	-----------------------	---

Features and properties

- The fastening system of the Toothed plates make changing on site even easier
- Interchangeable and reversible Armierungsmesser
- Large opening width and jaw opening
- Innovative and specific baking mold
- Shorter work cycles thanks to built-in rapid advance valve
- Easy access hydraulic system thanks to screwed service covers

THE VMB SERIES | IMPULSE LINE

The reinforcement

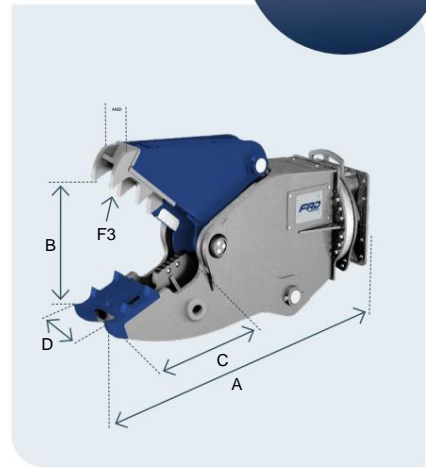
Combined scissors

Rotary sprayers with BOOS


TER of the VMB series are ideal for primary demolition and secondary crushing of reinforced concrete structures and not

reinforced thanks to its straight design. For carriers from 17 to 33 tons.

Technical data on page 14/15



VMB Series Special Features

3 sizes	360° Rotation	 Booster
---------	---------------	---

Features and properties

- 360° rotation in a compact format
Designed for optimal placement and precise handling
- Wide crown bearing
- Interchangeable and reversible Armierungsmesser
- The large opening of the jaw and the area of shredding guarantee unsurpassed performance. productivity
- The fastening system of the Toothed plates make changing on site even easier
- Easy access hydraulic system thanks to screwed service covers

THE VXB, VSB AND VMB SERIES

Technical data

VXB technical data

MODEL	CONVEYOR DEVICE CLASS	PRODUCT WEIGHT	LONG (A)	BROAD (B)	OPENING WIDTH (C)	MENSERO LONG	CUT KRAFT (F3)	AROUND MATERIAL	ROTARY	OIL NEEDS (FOLD)	WORK PRESSURE (FOLD)	OIL NEEDS OPEN/ FENCE	WORK PRESSURE OPEN/ FENCE
	t	KG	MM	MM	MM	MM	t	MM GRAD(°)		L/MIN	AMP	L/MIN	AMP
VXS-2ER	1,3 - 4	185	892	665	276	85	20	15	360	2/5	18/22	20/25	22
VXB-6ER	2 - 6	300	1127	745	350	85	30	15	360	5/10	12	50	20
VXB-7ER	4 - 8	440	1290	910	485	85	35	15	360	5/10	12	70	20
VXB-10ER	7 - 13	740	1510	1075	550	150	50	20	360	5/10	12	70	20
VXB-20ER 13 - 20		1410	2044	1445	754	150	70	20	360	8/12	12	100/140	25
VXB-26ER 17 - 25		1730	2346	1546	830	200	80	25	360	12/20	12	120/160	25
VXB-30ER 22 - 31		2230	2520	1655	980	200	95	30	360	12/20	12	150/200	25

VSB technical data

MODEL	CONVEYOR DEVICE CLASS	PRODUCT WEIGHT	LONG (A)	OPENING WIDTH (B)	WIDE ARM FESTIVAL (D)	WIDE ARM MOBILE (E)	KNIFE LENGTH	CUT KRAFT (F3)	AROUND MATERIAL	OIL NEEDS OPEN/ FENCE	WORK PRESSURE OPEN/ FENCE
	t	KG	MM	MM	MM	MM	MM	t	MM	L/MIN	AMP
VSB-16E	16 - 25	2000	2290	830	454	290	300	100	40	120/160	250
VSB-23E	22 - 30	2500	2410	905	490	314	300	115	40	150/200	250
VSB-26E 26 - 35		3050	2705	1025	490	314	300	125	40	200/250	250

VMB technical data

MODEL	CONVEYOR DEVICE CLASS	PRODUCT WEIGHT	LONG (A)	OPENING WIDTH (B)	WIDE ARM FESTIVAL (D)	WIDE ARM MOBILE (E)	KNIFE LENGTH	CUT KRAFT (F3)	AROUND MATERIAL	ROTARY	OIL NEEDS (FOLD)	WORK PRESSURE (FOLD)	OIL NEEDS OPEN/ FENCE	WORK PRESSURE OPEN/ FENCE
	t	KG	MM	MM	MM	MM	MM	t	MM	GRAD(°)	L/MIN	AMP	L/MIN	AMP
VMB-15ER 17 - 23		1855	2210	695	404	260	200	90	30	360	12/20	12	100/150	250
VMB-22ER 21 - 28		2235	2367	820	454	290	200	100	35	360	12/20	12	150/200	250
VMB-27ER 26 - 33		2780	2730	930	454	290	200	120	40	360	12/20	12	150/200	250



THE VMXB SERIES

the reinforcement

multiprocesador

Our multiprocessor with several sets of jaws to choose from can be flexibly used for primary demolition and

secondary crushing of structures concrete and for cutting steel structures in demolition sites.

The VMXB with BOOSTER consists of a body universal to which several sets of jaws are attached.

become. The innovative lock semi-automatic jaws allows changing the Jaws effortlessly in 5 minutes.

Available with demolition, pulverizer, combination, Swiss and for scrap.

VMXB Series Special Features

3 sizes

360°

Rotation



Booster

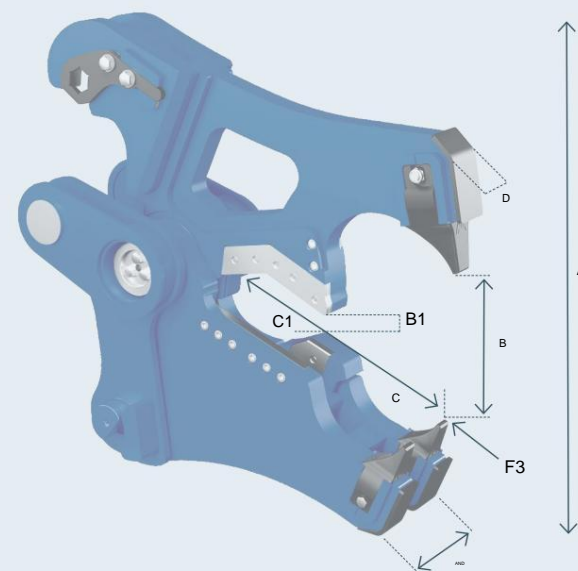
Features and properties

- 5 different sets of jaws
- Ample storage
- 360° rotation in a compact format
Designed for optimal placement and precise handling
- Interchangeable tooth and/or Toothed plate system
- Interchangeable and reversible cutting blade
- Shorter work cycles thanks to the built-in rapid advance valve
- The hydraulic system is very easy bolt-on service cover access

Technical data on pages 18-21



Label legend explained on the Booster combination jaw (M)



THE VMXB SERIES

P & S Base and Jaw Sets Technical Data

Base

MODEL	CONVEYOR DEVICE CLASS	WEIGHT BODY	ROTARY	OIL NEEDS (FOLD)	WORK PRESSURE (FOLD)	OIL NEEDS OPEN/FENCE	WORK PRESSURE OPEN/FENCE
	T	KG	GRAD(°)	L/MIN	AMP	L/MIN	AMP
VMX-16ER 18 - 23		1215	360	12/20	12	100/130	25
VMX-20ER 22 - 28		1450	360	12/20	12	130/170	25
VMX-28ER 27 - 36		1710	360	40/50	12	170/200	25



Primary - Hill

MODEL	PRODUCT TOTAL WEIGHT	PRODUCT JAW WEIGHT	LONG (A)	OPENING WIDTH (B)	ARM DEPTH (C)	WIDE ARM MOBILE (D)	WIDE ARM FIXED (E)	KNIFE LENGTH	CUT KRAFT (F3)	AROUND MATERIAL
	KG	KG	MM	MM	MM	MM	MM	MM	MM	MM
VMXB-16P 1814		599	2164	727	700	70	240	150	80	35
VMXB-20P 2292		842	2234	780	760	70	240	200	100	35
VMXB-28P 2805		1095	2516	865	810	80	270	200	120	40



Secondary - cheek

MODEL	PRODUCT TOTAL WEIGHT	PRODUCT JAW WEIGHT	LONG (A)	OPENING WIDTH (B)	ARM DEPTH (C)	WIDE ARM MOBILE (D)	WIDE ARM FIXED (E)	KNIFE LENGTH	CUT KRAFT (F3)	AROUND MATERIAL
	KG	KG	MM	MM	MM	MM	MM	MM	MM	MM
VMXB-16S	1860	645	2165	720	730	260	404	150	80	30
VMXB-20S 2337		887	2250	780	780	260	404	200	100	35
VMXB-28S 2900		1190	2540	890	880	290	454	200	120	40





THE VMXB SERIES

Technical data of the M, C and SW jaw sets

Combi - cheek

MODEL	PRODUCT TOTAL WEIGHT	PRODUCT JAW WEIGHT	LONG (A)	OPENING WIDTH (B/B1)	ARM DEPTH (C/C1)	WIDE ARM MOBILE (D)	WIDE ARM FIXED (E)	KNIFE LENGTH	CUT KRAFT (F3)	ARMOUR MATERIAL	CALL PROFILE	GOOD PROFILE
	KG	KG	MM	MM	MM	MM	MM	MM	MM	MM	MM	MM
VMXB-16M 1880		665	2164	727/343 700/340		70	260	340	80	45	160	140
VMXB-20M 2339		889	2230	780/358 760/340		70	260	340	100	50	240	160
VMXB-28M 2927		1217	2620	861/440	810/430	90	340	430	120	60	270	200



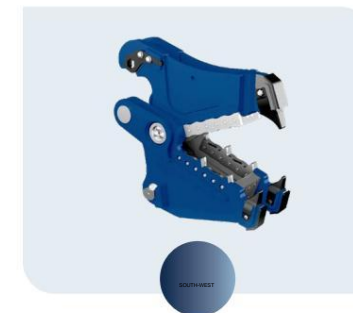
steel jaw

MODEL	PRODUCT TOTAL WEIGHT	PRODUCT JAW WEIGHT	LONG (A)	OPENING WIDTH (B)	ARM DEPTH (C)	WIDE ARM MOBILE (D)	WIDE ARM FIXED (E)	CUT KRAFT (F3)	ARMOUR MATERIAL	DEPARTMENT MATERIAL	CALL PROFILE	GOOD PROFILE
	KG	KG	MM	MM	MM	MM	MM	MM	MM	MM	MM	MM
VMXB-16C 1812		597	2020	340	493	105	280	105	45	10	160	140
VMXB-20C 2253		803	2045	340	493	105	300	140	50	12	240	160
VMXB-28C 2795		1085	2330	430	600	120	380	165	60	15	270	200



Block - Hill

MODEL	PRODUCT TOTAL WEIGHT	PRODUCT JAW WEIGHT	LONG (A)	OPENING WIDTH (B/B1)	ARM DEPTH (C/C1)	WIDE ARM MOBILE (D/D1)	WIDE ARM FIXED (E)	CUT KRAFT (F3)	ARMOUR MATERIAL
	KG	KG	MM	MM	MM	MM	MM	MM	MM
VMXB-16SW	1911	696	2124	628/414	630/410	70/222	350	85	35
VMXB-20SW	2406	956	2233	755/550	677/470	70/262	390	105	40
VMXB-28SW	3017	1307	2525	843/690 795/593		80/202	440	125	40





DEMOLITION TOOLS

THE VX SERIES

Demolition pliers

Specifically designed for primary demolition, The VX series is the best specific solution for standard and long nose demolition excavators from 10 to 140 tons.

Equipped with two cylinders, two pivot points and a large opening width, which open into the material with high breaking forces, it is the right tool to demolish the thickest reinforced concrete, such as bridges, viaducts and heavy foundations.



Features and properties

- 360° rotation in a compact format
Designed for optimal placement and handling necessary
- Wide crown bearing
- Rear mounted cylinders and fully protected.
- High refractive power
- The hydraulic system is very easy-access bolt-on service cover
- Interchangeable and reversible blades
- Interchangeable crushing teeth (de VX-15ER a VX-80ER)
- Shorter work cycles thanks to the valve of built-in fast forward VX-15ER a VX-80ER)

VX Series Special Features

8	10 - 140	360°
sizes	Carrier class	Rotation

Technical data

MODEL	CONVEYOR DEVICE CLASS	PRODUCT WEIGHT	LONG (A)	BROAD (B)	OPENING WIDTH (C)	MENSERO LONG	CUT KRAFT (F3)	AROUND MATERIAL	ROTARY	OL NEEDS (FOLD)	WORK PRESSURE (FOLD)	OL NEEDS OPEN/FENCE	WORK PRESSURE OPEN/FENCE
	t	KG	MM	MM	MM	MM	t	MM GRAD(°)		L/MIN	AMP	L/MIN	AMP
VX-15ER	10 - 16	1060	1740	1400	750	150	50	20	360	5/10	10	90/140	35
VX-20ER	15 - 22	1570	1975	1490	830	150	60	25	360	8/12	12	150/200	35
VX-26ER	20 - 28	2080	2096	1680	1010	200	70	30	360	12/20	12	170/200	35
VX-35ER	27 - 36	2750	2290	1837	1205	200	90	35	360	12/20	12	250/300	35
VX-50ER 34 - 50		3495	2525	2000	1300	250	105	40	360	50/60	12	300/350	35
VX-80ER 45 - 70		4850	2750	2100	1550	310	140	45	360	60/70	12	350/500	35
VX-100ER 65 - 100		7700	2550	2550	1850	310	195	55	360	60/70	12	450/700	35
VX-130ER 80 - 140		11000	2680	2680	2100	310	245	70	360	140/170	12	600/1000	35



IN THE SERIES VS

The concrete pulverizer

The VS series sprayer for conveyors from 6 to 75 tons is an excellent option for recyclers who need to pre-shred the concrete resulting from the demolition of buildings and prepare it for fine grinding.

Designed for secondary demolition.

The concrete pieces resulting from demolition can be finely ground on site. The concrete is efficiently separated from the reinforcement and reduced to

save volume, landfill and transportation costs.



Features and properties

- Cylinder mounted at the rear and fully protected
- Innovative and specific ba. corner shape
- The fastening system of the Toothed plates make changing on site even easier
- Shorter work cycles thanks to the valve built-in fast forward (VS-9E)
- Interchangeable and reversible Armierungsmesser
- The hydraulic system is very easy-access bolt-on service cover
- Large opening width and jaw opening

VS Series Special Features

7	6 - 75	720 - 5550
sizes	Carrier class	Product Weight

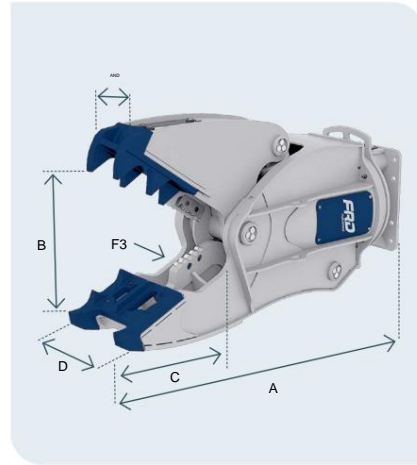
Technical data

MODEL	CARRIER DEVICE CLASS	PRODUCT WEIGHT	LONG (A)	OPENING WIDTH (B)	ARM DEPTH (C)	WIDE ARM FESTIVAL (D)	WIDE ARM MOBILE (E)	KNIFE LENGTH	CUT KRAFT (F3)	AROUND MATERIAL	OIL NEEDS OPEN/FENCE	WORK PRESSURE OPEN/FENCE
		KG	MM	MM	MM	MM	MM	MM	t	MM	l/min	AMP
VS-5E	6 - 12	720	1540	560	600	330	225	150	45	25	80/140	28
VS-9E	11 - 18	1370	1935	710	850	404	260	200	---	30	140/200	35
VS-15E	16 - 23	1880	2290	830	980	454	290	300	80	40	200/250	35
VS-22E	20 - 28	2400	2410	905	1060	490	314	300	90	40	200/300	35
VS-30E	24 - 36	2840	2705	1025	1200	490	314	300	110	40	300/400	35
VS-40E	30 - 50	3450	2810	1200	1260	530	354	300	120	45	350/450	35
VS-50E	41 - 75	5550	3250	1300	1300	700	470	300	150	50	450/600	35

THE VM SERIES

The combined scissors

Thanks to their straight design, the rotary sprayers VM series are ideal for primary demolition and secondary crushing of reinforced and unreinforced concrete structures. For carriers from 4 to 110 tons.



Features and properties

- 10 sizes available
- 360° rotation in a compact design for optimal placement and precise handling
- Wide crown bearing
- Cylinder mounted at the rear and fully protected
- Interchangeable and reversible style training knife
- The large opening of the jaw and the area of shredding guarantee unsurpassed performance, productivity
- The fastening system of the Serrated plates make changing even easier on site (ab VM-12ER)
- Shorter work cycles thanks to a built-in rapid advance valve (ab VM-16ER)
- The hydraulic system is very easy-access bolt-on service cover

Technical data

MODEL	CONVEYOR DEVICE CLASS	PRODUCT WEIGHT	LONG (A)	OPENING WIDTH (B)	ARM DEPTH (C)	WIDE ARM FESTIVAL (D)	WIDE ARM MOBILE (E)	KNIFE LENGTH	CUT KRAFT (F3)	AROUND MATERIAL	ROTARY	OIL NEEDS (FOLD)	WORK PRESSURE (FOLD)	OIL NEEDS OPEN/ FENCE	WORK PRESSURE OPEN/ FENCE
	t	KG	MM	MM	MM	MM	MM	MM	t	MM	GRAD(°)	L/MIN	AMP	L/MIN	AMP
VM-7ER	4 - 7	440	1407	460	439	280	170	85	30	20	360	5/10	12	50/90	28
VM-10ER	6 - 13	630	1525	550	510	300	200	85	40	20	360	5/10	12	70/110	35
VM-12ER	12 - 17	970	1825	620	590	350	225	150	48	25	360	5/10	12	90/120	35
WC-16ER	15 - 21	1525	2086	680	720	404	260	200	---	30	360	12/20	12	140/200	35
VM-19ER 18 - 27		1990	2187	786	840	454	290	200	75	35	360	12/20	12	180/230	35
VM-25ER	25 - 36	2525	2575	930	940	434	290	200	95	40	360	12/20	12	250/300	35
VM-32ER 32 - 45		3330	2734	1010	1040	490	314	200	110	40	360	50/60	12	300/350	35
VM-42ER	40 - 55	4400	3080	1165	1140	490	314	200	130	45	360	60/70	12	350/400	35
VM-60ER	50 - 90	5800	3415	1285	1280	540	350	300	140	45	360	60/70	12	400/500	35
WC-80ER	75 - 110	8790	3780	1520	1380	635	540	300	180	50	360	80/90	12	500/700	35

THE V SERIES

universal pliers

FRD V Series Demolition Grapples are the universal tool for all demolition applications

primary and secondary crushing. Depending on the different work needs can be assembled

jaw systems in the base body.

Tandem cylinder design allows for an opening extremely large-jawed for this class of weight.

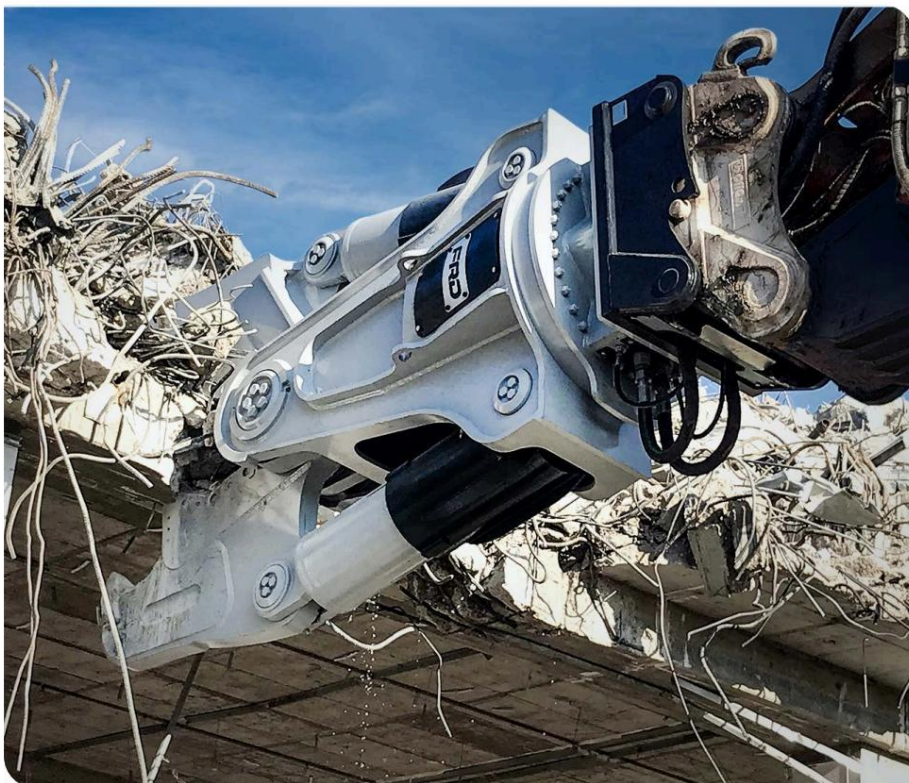


Imagen: V50 con Kombibacke M

Features and properties

- Fully protected cylinders
- Interchangeable and reversible cutting blade
- Interchangeable, screwed Toothed plate system
- The hydraulic system is very lightly screwed service cover accessible
- Interchangeable tooth and/or Toothed plate system
- Interchangeable and reversible cutting blade
- Shorter work cycles thanks to the valve built-in fast forward. (from V-11)

V Series Special Features

9 sizes	6 jaw games	360° Rotation
---------	-------------	---------------

Technical data of the base.

MODEL	CONVEYOR DEVICE CLASS	WEIGHT BODY	ROTARY	OIL NEEDS (FOLD)	LABOR PRESSURE	OIL NEEDS OPEN/FENCE	WORK PRESSURE OPEN/FENCE
	t	KG	GRAD(°)	L/MIN	AMP	L/MIN	AMP
V-4	3 - 7	262	360	5/10	12	30/50	18/22
V-6	5 - 11	510	360	5/10	12	70/110	22/35
V-11	10 - 16	795	360	5/10	12	90/140	35
V-17	15 - 22	1105	360	8/12	12	150/200	35
V-22	20 - 28	1480	360	12/20	12	170/210	35
V26	25 - 35	1835	360	12/20	12	250/300	35
V-34	33 - 48	2400	360	50/60	12	300/350	35
V-44	44 - 61	3553	360	60/70	12	350/450	35
V-50	55 - 75	3936	360	60/70	12	400/500	35

THE V SERIES

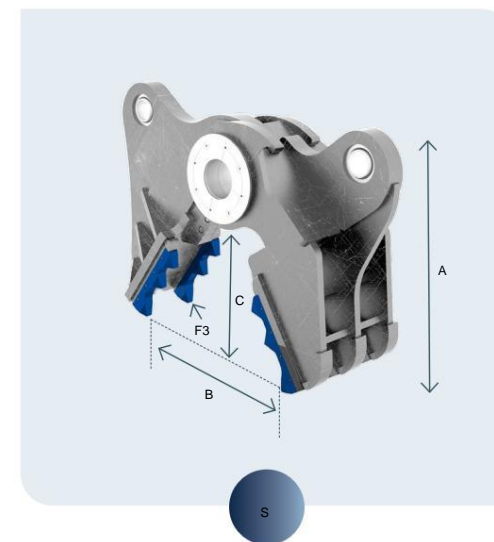
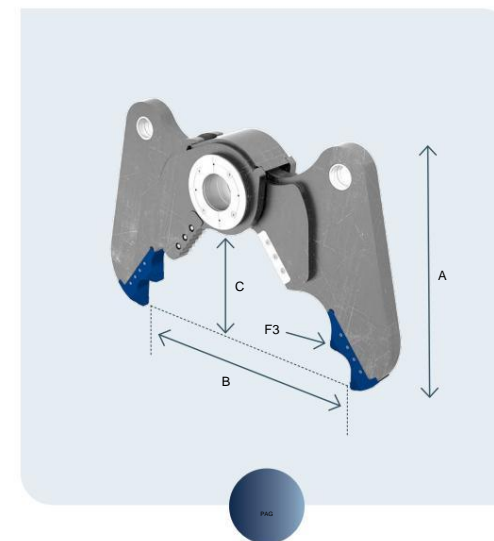
Technical data of P & S jaw sets

Primary - Hill

MODEL	PRODUCT TOTAL WEIGHT	PRODUCT JAW WEIGHT	LONG (A)	OPENING WIDTH (B)	ARM DEPTH (C)	MENSERO LONG	CUT KRAFT (F3)	AROUND MATERIAL
	KG	KG	MM	MM	MM	MM	l	MM
V-4P	370	108	1174	374	305	85	20	15
V-6P	645	135	1385	545	385	150	35	20
V-11P	1025	230	1594	670	445	150	50	25
V-17P	1458	353	1927	754	583	150	60	30
V-22P	1998	518	2075	862	623	200	80	35
V26P	2548	713	2260	1130	709	200	90	40
V-34P	3316	916	2521	1248	824	300	110	45
V-44P	4724	1171	2723	1310	851	300	120	50
V-50P	5517	1581	2902	1547	944	300	130	50

Secondary - cheek

MODEL	PRODUCT TOTAL WEIGHT	PRODUCT JAW WEIGHT	LONG (A)	OPENING WIDTH (B)	ARM DEPTH (C)	MENSERO LONG	CUT KRAFT (F3)	AROUND MATERIAL
	KG	KG	MM	MM	MM	MM	l	MM
V-6S	657	147	1348	437	331	85	40	20
V-11S	1057	262	1573	544	396	85	50	25
V-17S	1546	441	1890	604	512	150	60	30
V-22S	2073	593	2034	664	524	150	90	35
V26S	2693	858	2252	911	633	150	100	40
V-34S	3553	1153	2509	1042	773	150	110	45
V-44S	5086	1533	2659	1064	731	200	130	50
V-50S	5917	1981	2876	1123	797	200	160	50

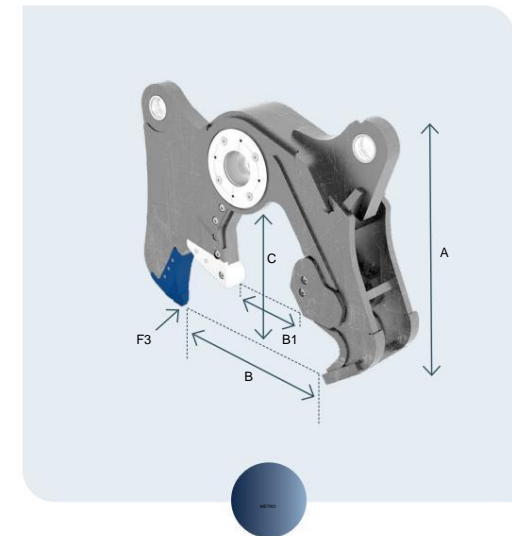


THE V SERIES

Technical data of M&C jaw sets

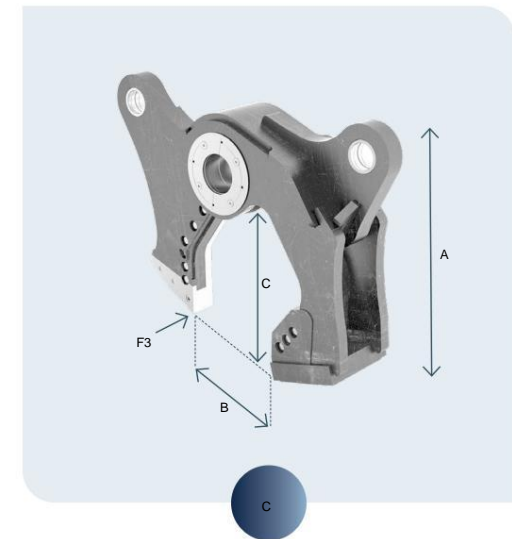
Combi - cheek

MODEL	PRODUCT TOTAL WEIGHT	PRODUCT JAW WEIGHT	LONG (A)	OPENING WIDTH (B/B1)	ARM DEPTH (C)	CUT KRAFT (F3)	ROUND MATERIAL	CALL PROFILE	GOOD PROFILE
	KG	KG	MM	MM	MM	t	MM	MM	MM
V-6M	654	144	1419	508/263	397	25	20	100	50
V-11M	1059	264	1618	642/307	455	50	25	120	70
V-17M	1544	439	1953	707/385	586	60	30	160	120
V-22M	2061	581	2116	861/439	651		35	240	180
V26M	2606	771	2304	1111/516	730	90	40	270	200
V-34M	3465	1065	2582	1234/606	854	100	45	330	240
V-44M	5178	1625	2795	1302/662	906	115	50	400	260
V-50M	5917	2200	3018	1466/795	1115	135	50	450	280



steel jaw

MODEL	PRODUCT TOTAL WEIGHT	PRODUCT JAW WEIGHT	LONG (A)	OPENING WIDTH (B)	ARM DEPTH (C)	CUT KRAFT (F3)	ROUND MATERIAL	DEPARTMENT MATERIAL	CALL PROFILE	GOOD PROFILE
	KG	KG	MM	MM	MM	80t	MM	MM	MM	MM
V-4C	375	113	1158	174	255	25	30	-	-	-
V-6C	642	132	1350	229	292	50	30	5	120	70
V-11C	1026	231	1544	297	322	...	35	8	140	100
V-17C	1502	397	1900	344	481	75	40	10	180	140
V-22C	2092	612	2101	413	556	100	50	12	270	200
V26C	2526	691	2219	576	540	120	60	15	330	240
V-34C	3350	950	2469	611	629	140	...	20	360	260
V-44C	4882	1329	2740	663	724	150	70	25	450	300
V-50C	5804	1868	2937	743	784	180	80	30	500	320





THE V SERIES

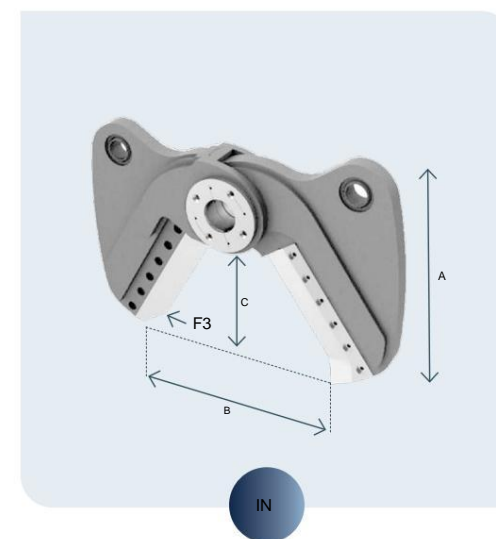
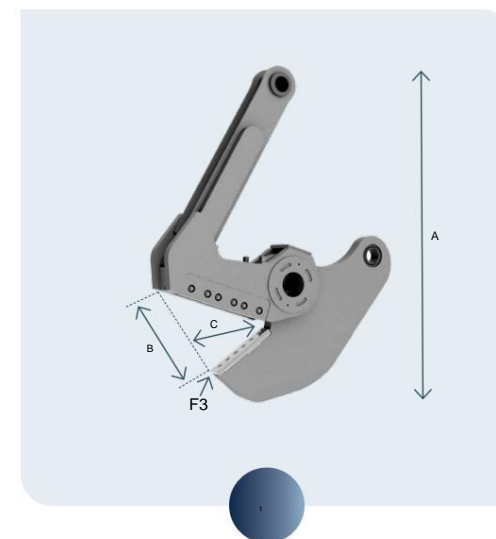
Technical data of T & W jaw sets

Tank tray - tray

MODEL	PRODUCT TOTAL WEIGHT	PRODUCT JAW WEIGHT	LONG (A)	OPENING WIDTH (B)	ARM DEPTH (C)	CUT KRAFT (F3)	MOTION STRENGTH
	KG	KG	MM	MM	MM		MM
V-17T	1516	626	1890	300	364	80	10
V-22T	2883	681	2008	325	364	115	15
V26T	2298	830	2133	420	394	140	20
V-34T	3023	1083	2316	454	394		25
V-44T	4317	1350	2547	482	441	175	30
V-50T	5233	2233	2778	511	486	200	35

wooden jaw

MODEL	PRODUCT TOTAL WEIGHT	PRODUCT JAW WEIGHT	LONG (A)	OPENING WIDTH (B)	ARM DEPTH (C)	CUT KRAFT (F3)	ARMOUR MATERIAL
	KG	KG	MM	MM	MM	1551	MM
V-6W	661	151	1462	476	436	35	450
V-11W	1014	219	1622	562	436	45	550
V-17W	1551	446	2000	708	641	55	700
V-22W	2015	535	2099	754	641	80	750



LA SERIE VMX

The multiprocessor

The VMX consists of a universal body in which several sets of jaws hang.

The innovative semi-automatic jaw lock

Allows you to change jaws effortlessly in 5 minutes.

Our multiprocessor with several sets of

Jaws to choose from can be flexibly used for primary demolition and secondary crushing

of concrete structures and for cutting structures of steel at demolition sites.

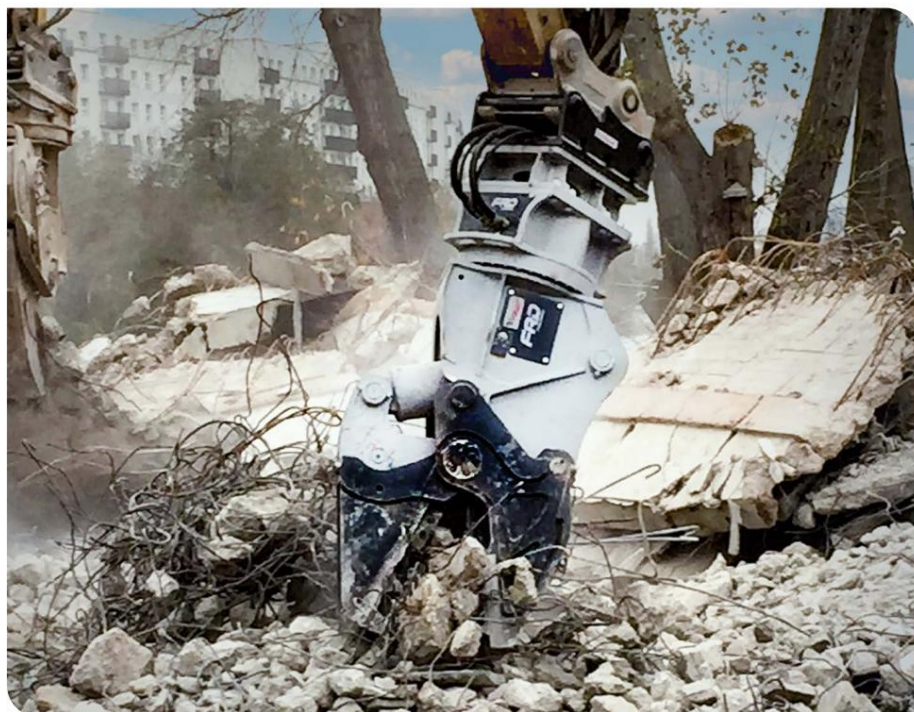


Image: VMX25 with S secondary jaw

VMX Series Special Features

6	5	360°
sizes	jaw sets	Rotation

Features and properties

- Ample storage
- Shorter work cycles thanks to the valve built-in fast forward. (from VMX-17)
- 360° rotation in a compact format
Designed for optimal placement and handling necessary
- The hydraulic system is very easy-access bolt-on service cover
- Interchangeable tooth and/or
Tooth plate system (from VMX-13)
- Interchangeable and reversible
cutting blade

Technical data of the base.

MODEL	CONVEYOR DEVICE CLASS	WEIGHT BODY	ROTARY	OIL NEEDS (FOLD)	LABOR PRESSURE	OIL NEEDS OPEN/FENCE	WORK PRESSURE OPEN/FENCE
		KG	GRAD(°)	l/min	AMP	l/min	AMP
VMX-10ER	7 - 13	485	360	5/10	12	70/90	23/35
VMX-13ER 10 - 16		655	360	8/12	12	90/140	28/35
VMX-17ER 14 - 21		905	360	8/12	12	110/160	35
VMX-25ER 19 - 27		1224	360	12/20	12	170/210	35
VMX-30ER 26 - 35		1555	360	40/50	12	230/250	35
VMX-35ER 34 - 50		2090	360	50/60	12	300/400	35

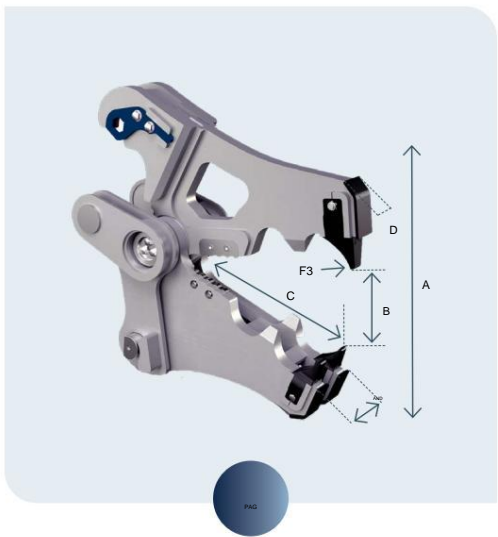


LA SERIE VMX

Technical data of P & S jaw sets

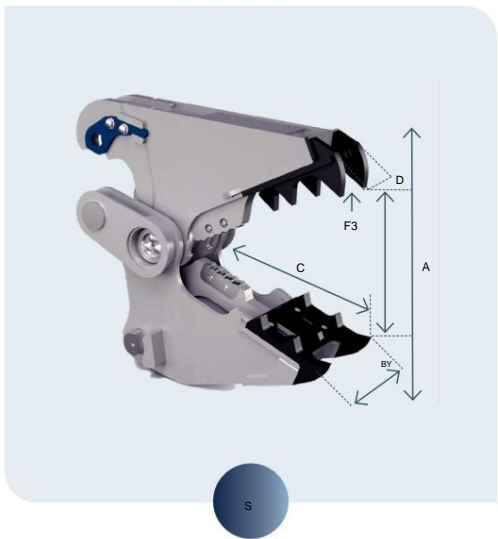
Primary - Hill

MODEL	PRODUCT TOTAL WEIGHT	PRODUCT JAW WEIGHT	LONG (A)	OPENING WIDTH (B)	ARM DEPTH (C)	WIDE ARM MOBILE (D)	WIDE ARM FIXED (E)	KNIFE LENGTH	CUT KRAFT (F3)	AROUND MATERIAL
	KG	KG	MM	MM	MM	MM	MM	MM	MM	MM
VMX-10P	710	225	1595	520	500	50	190	150	15	20
VMX-13P	1130	475	1785	610	580	60	240	150	20	25
VMX-17P	1504	599	1994	717	700	70	240	200	25	30
VMX-25P	2066	842	2074	780	760	70	240	200	30	35
VMX-30P 2650		1095	2356	865	810	80	270	200	35	40
VMX-35P	3615	1525	2555	957	910	90	300	200	40	50



Secondary - cheek

MODEL	PRODUCT TOTAL WEIGHT	PRODUCT JAW WEIGHT	LONG (A)	OPENING WIDTH (B)	ARM DEPTH (C)	WIDE ARM MOBILE (D)	WIDE ARM FIXED (E)	KNIFE LENGTH	CUT KRAFT (F3)	AROUND MATERIAL
	KG	KG	MM	MM	MM	MM	MM	MM	MM	MM
VMX-10S	766	281	1620	535	525	170	290	85	32/45	20
VMX-13S	1140	486	1780	630	630	185	320	150	40/53	25
VMX-17S	1550	645	1995	720	730	260	404	150	---	30
VMX-25S	2111	887	2088	780	780	260	404	200	80	35
VMX-30S	2745	1190	2378	890	880	290	454	200	105	40
VMX-35S	3760	1670	2585	980	930	340	470	200	120	50



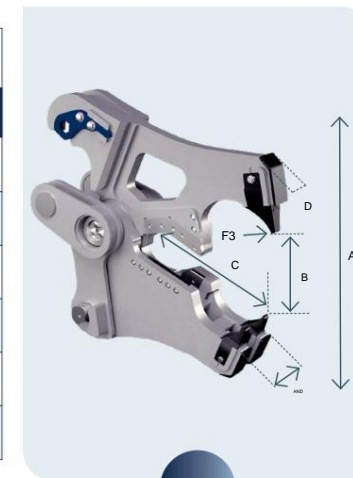


LA SERIE VMX

Technical data of M&C jaw sets

Combi - cheek

MODEL	PRODUCT TOTAL WEIGHT	PRODUCT JAW WEIGHT	LONG (A)	OPENING WIDTH (B-B1)	ARM DEPTH (C)	WIDE ARM MOBILE (D)	WIDE ARM FIXED (E)	KNIFE LENGTH	CUT KRAFT (F3)	AROUND MATERIAL	CALL PROFILE	GOOD PROFILE
	KG	KG	MM	MM	MM	MM	MM	MM	MM	MM	MM	MM
VMX-10M	767	282	1595	530/265 480/280		60	230	280	32/45	30	80	
VMX-13M	1160	505	1785	610/320 580/320		60	230	320	40/53	35	120	100
VMX-17M	1570	665	1994	717/338 700/340		70	260	340	...	40	140	120
VMX-25M	2113	889	2070	780/358 810/340		70	260	340	80	45	220	140
VMX-30M 2772		1217	2460	861/440	810/430	90	340	430	105	50	240	180
VMX-35M 3770		1700	2555	957/470	910/430	110	370	430	120	60	330	220



steel jaw

MODEL	PRODUCT TOTAL WEIGHT	PRODUCT JAW WEIGHT	LONG (A)	OPENING WIDTH (B)	ARM DEPTH (C)	WIDE ARM MOBILE (D)	WIDE ARM FIXED (E)	CUT KRAFT (F3)	AROUND MATERIAL	CALL PROFILE	GOOD PROFILE
	KG	KG	MM	MM	MM	MM	MM	MM	MM	MM	MM
VMX-10C	730	245	1485	235	335	90	260	45/65	30	80	
VMX-13C	1085	430	1625	290	340	90	260	60/75	35	120	100
VMX-17C	1502	597	1850	340	493	105	280	85	40	140	120
VMX-25C	2027	803	1880	340	493	105	300	110	45	220	140
VMX-30C 2640		1085	2170	430	600	120	380	140	50	240	180
VMX-35C	3610	1520	2390	480	650	120	415	165	60	330	220



LA SERIES VMX

Technical data SW jaw set

Block - Hill

MODEL	PRODUCT TOTAL WEIGHT	PRODUCT JAW WEIGHT	LONG (A)	OPENING WIDTH (B/B1)	ARM DEPTH (C/C1)	WIDE ARM MOBILE (D/D1)	WIDE ARM FIXED (E)	CUT KRAFT (F3)	ARMOUR MATERIAL
	KG	KG	MM	MM	MM	MM	MM	MM	MM
VMX-10SW 772		287	1575	350/0	430/0	195/0	300	40/60	20
VMX-13SW 1135		495	1730	425/0	510/0	205/0	330	52/65	25
VMX-17SW 1601		696	1954	620/410	630/410	70/220	350	70	30
VMX-25SW 2180		956	2063	755/550	677/470	70/262	390	85	35
VMX-30SW 2862		1307	2365	843/690 795/593		80/292	440	110	40
VMX-35SW 3910		1820	2590	935/775	870/610	90/320	490	120	50

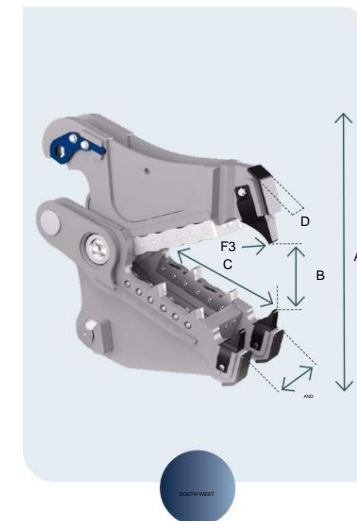


Image: VMX30 with P primary jaw



RECYCLING



AT THE VR SERIES

The mobile shear for steel and scrap

Our premium VR series steel and scrap shears are precise and effective high-end products for devices carriers from 2 to more than 170 tons per handle.

Mobile shears for steel and scrap are ideal for this.

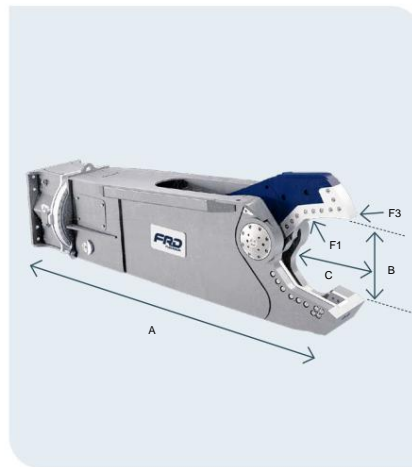
Cutting steel structures

Demolition and recovery works of beams, sheets,

Tires and cables in recycling companies.

With boom or arm mounting, the VR Series has everything you need to perform well in your workplace.

The optimally shaped pliers mouth effortlessly cuts workpieces steel pushing the material towards where the scissors can exert the greater strength.



Features and properties

- 13 sizes available
- Interchangeable and reversible cutting blade
- Double guide washers for jaw alignment
- Shorter work cycles thanks to the valve of built-in fast forward
- The hydraulic system is bolted. Easy access service cover

Technical data

Information: (1) booming | (2) about style | Rear F1 cutting force | F3 cutting force at the front

MODEL	CONVEYOR DEVICE CLASS (1)	CONVEYOR DEVICE CLASS (2)	PRODUCT WEIGHT	LONG (A)	OPENING WIDTH (B)	ARM DEPTH (C)	CUT POWER (F1)	CUT KRAFT (F3)	ROUND MATERIAL	SQUARE MATERIAL	DIAGONAL MATERIAL	CALL PROFILE	GOOD PROFILE	ROTARY	OIL NEEDS (FOLD)	JOB PRESSURE (FOLD)	OIL NEEDS OPEN/FENCE	WORK PRESSURE OPEN/FENCE
	1	1	KG	MM	MM	MM	L	L	MM	MM	MM	MM	MM GRADU		L/MIN	AMP	L/MIN	AMP
VR-2ER	2 - 6	1 - 4	315	1602	275	210	85	28	30	25	5	80	60	360	2/5	12	60/100	25
VR-4ER	4 - 9	2 - 6	480	1880	350	348	125	32	30	25	6	100	70	360	5/10	12	70/110	25
VR-7ER	7 - 14	5 - 9	795	2080	415	348	210	60	40	30	8	120	100	360	5/10	12	90/140	35
VR-15ER-2	12 - 20	8 - 14	1310	2302	450	481	275	61	45	35	10	200	140	360	5/10	12	150/250	35
VR-18ER-2	19 - 29	14 - 21	2270	2666	480	510	400	96	55	40	15	300	200	360	12/20	12	200/300	35
VX-30ER-3	27 - 39	20 - 30	3260	3227	575	606	620	146	---	50	20	400	260	360	40/50	12	280/350	35
VX-40ER-3	32 - 45	25 - 40	4170	3745	670	710	730	165	70	55	22	450	280	360	50/60	12	300/450	35
VX-50ER-3	38 - 56 30 - 50		5100	3690	740	720	890	195	75	60	25	500	320	360	50/60	12	350/500	35
VX-68ER-3	70 - 78 40 - 60		6850	4297	830	852	1000	220	85	70	30	550	360	360	60/70	12	400/600	35
VX-80ER-3	70 - 110	50 - 80	8100	4450	870	944	1200	240	100	85	35	600	400	360	60/70	12	500/800	35
VX-100ER-3	>85	>60	10330	5252	1005	1072	1320	280	110	90	40	750	550	360	60/70	12	700/1000	35
VX-150ER-3	>120	>80	14650	6260	1145	1270	1600	355	140	120	45	950	600	360	70/90	12	900/1200	35
VX-200ER-3	>170	>110	20900	7100	1225	1300	1700	460	165	140	50	1100	750	360	80/100	12	1000/1500	35

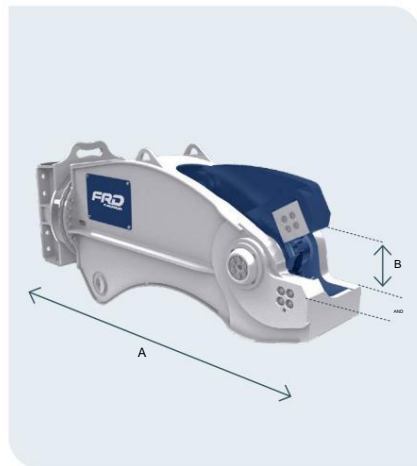
RC SERIES DIE

The Railway Destroyer

The European railway network covers approximately 350,000 km. The construction and maintenance of track systems is an important market.

Our premium RC series rail crackers are specially developed to crack rails with high tensile strength.

This way they can be broken quickly and specifies all the usual Vignol rails with a resistance of up to 900 N/mm² and the size of profile S7 UIC 60/60 UNI. With a force of 1390 kN and the intelligent kinematics of the moving jaw, provides the energy needed to break all the usual profiles, including those already mentioned UIC 60 profiles.



Features and properties

- 2 sizes available
 - 360° rotation in a compact design for optimal placement and precise handling
 - Interchangeable and reversible HD The knife can be used on all 4 sides.
 - The hydraulic system is very easy-access bolt-on service cover
 - Cylinder mounted at the rear and fully protected
 - Reinforced Hardox casing
- Manufactured and produced completely free of stress through special heat treatment.

Technical data

MODEL	CARRIER DEVICE CLASS	PRODUCT WEIGHT	LONG (A)	OPENING WIDTH (B)	ARM DEPTH (C)	WIDE ARM FIXED (E)	KNIFE LENGTH	CUT PERFORMANCE	ROTARY	OL NEEDS (FOLD)	WORK PRESSURE (FOLD)	OL NEEDS OPEN/FENCE	WORK PRESSURE OPEN/FENCE
		KG	MM	MM	MM	MM	MM	kg/m	GRAD(°)	l/min	AMP	l/min	AMP
RC-22ER	21-40	2752	2410	225	170	540	170	60	360	8/12	19	200/300	35
RC-44ER	31-52	3900	2320	240	170	600	170	70	360	10/15	19	300/450	35



THE FDG SERIES

Demolition bucket and

classification

Versatile demolition and grading bucket for wide variety of applications and handling of a wide variety of materials, such as: B. Demolition/classification of demolition, construction debris sorting, loading and classification of recycling materials.

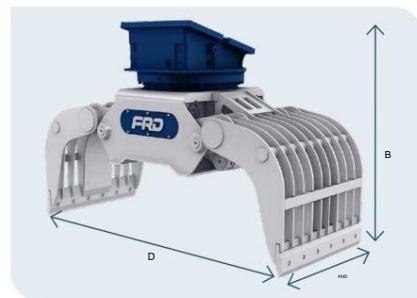


Image: Large FDG



Image: FDG small

Technical data

MODEL	CONVEYOR DEVICE CLASS	PRODUCT WEIGHT	HEIGHT CLOSED (A)	HEIGHT OPEN (B)	BROAD CLOSED (C)	BROAD OPEN (D)	CUT BROAD (LANE)	CONTENT	MAX TRAGF. GRIPPER	MAX TRAGF. DREHWORX	ROTATING HOLDING FORCE	OIL NEEDS (FOLD)	WORK PRESSURE (FOLD)	OIL NEEDS OPEN/FENCE	WORK PRESSURE OPEN/FENCE	
SMALL TWEEZERS		KG	MM	MM	MM	MM	MM		l	l	kn	GRAD(°)	l/min	AMP	l/min	AMP
FDG05-PL	1 - 2	160	770	710	660	1030	360	45	1	5	13	360	20	25	22	25
FDG10-PL	3 - 5	190	760	700	660	1105	400	80	1	5	15	360	20	25	22	25
FDG15-PL	4 - 7	310	930	775	825	1390	500	130	1,5	5	23	360	20	25	32	30
FDG20-PL	5 - 9	508	1080	950	940	1620	600	270	2	10	36	360	28	25	40	30
FDG33-PL	9 - 15	942	1258	1293	1200	1930	800	400	4	15	50	360	48	25	60	35
BIG TWEEZERS									50							
FDG34-PL	15 - 20	1073	1476	1357	1257	1930	800	400	4	15	50	360	30	14	60	35
FDG40-PL	20 - 25	1640	1610	1460	1415	2250	900	650	6	20	60	360	30	14	62	35
FDG50-PL	25 - 30	1850	1710	1495	1450	2450	1030	760	6	20	75	360	30	14	90	35
FDG60-PL	29 - 40	2180	1820	1625	1535	2500	1230	950	8	30	75	360	30	14	112	35
FDG70-PL	40 - 70	4100	2210	1940	1820	3000	1500	1500	8	40	110	360	30	14	112	35

Features and properties

- Hydraulic swivel unit can be rotated endlessly for positioning
- Expected use
- With high load axial and radial bearings, with crown swivel (from FDG34-PL)
- Front hydraulic connections (FDG05-PL – FDG33-PL)
- Front and side hydraulic connections (FDG34-PL – FDG70-PL)
- Flat and compact design - Hydraulic gripping system and synchronous steering They are protected on the route

- Mechanical opening and Closing stops and end position cushioning in the lifting cylinder (from FDG20-PL)
- Check valves on the cylinders prevent the clamp opens accidentally (from FDG10-PL)
- Easily accessible lubrication points on all parts
- Shells made of high strength fine grain stahl (450 HB)
- Bolt-on reversible shift metering Made of high strength fine grain steel (500 HB)

THE FMP SERIES

The universal clamp

Versatile universal clamp for a wide range of applications and handling a wide range of materials, such as: B.

Stone placement work, rubble classification

construction, loading and sorting of recycled materials,

earth excavation and loading of thick bulk material, loading of bushes and bushes.

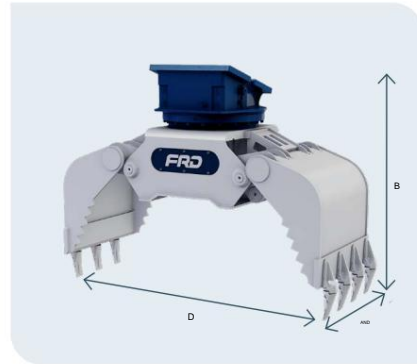


Image: Large FDG



Image: FDG Small

Features and properties

- For carriers from 1 to 40 tons
- 9 sizes available
- The hydraulic swivel unit can be rotated endlessly for positioning
- Expected use
- With high axial load capacity and Radial bearings with rotating crown (from FMP34-PL)
- Front hydraulic connections (FMP05-PL – FMP33-PL)
- Front and side hydraulic connections (FMP34-PL – FMP60-PL)
- Flat and compact design - Hydraulic gripping system and synchronous steering are protected on the journey
- Mechanical opening and Closing stops and end position cushioning in the elevator cylinder (from FMP20-PL)
- Check valves in the cylinders prevent the clamp opens involuntarily (from FMP10-PL)
- Easily accessible lubrication points throughout
- Shells made of high strength fine grain stahl (450 HB)
- Serrated side panels for better Grip
- Up to FMP15-PL with screw tooth, from FMP20-PL with ESCO bushing tooth

Technical data

MODEL	CONVEYOR DEVICE CLASS (E)	PRODUCT WEIGHT (KG)	HEIGHT CLOSED (A) (MM)	HEIGHT OPEN (B) (MM)	BROAD CLOSED (C) (MM)	BROAD OPEN (D) (MM)	CUT BROAD (MM)	NUMBER OF TEETH	CONTENT	MAX TRAGF. GRIPPER	MAX TRAGF. DREHWORK	HOLDING STRENGTH (kN)	ROTARY (GRAD(°))	OL-NEEDLE (FOLD) (l/min)	JOB PRESSURE (FOLD) (AMP)	OL-NEEDLE OPEN/FENCE (l/min)	WORK PRESSURE OPEN/FENCE (AMP)
SMALL TWEEZERS																	
FMP05-PL	1 - 2	151	650	710	610	950	360	3	47	-	2,5	18	360	20	25	22	25
FMP10-PL	2 - 5	175	715	750	610	1020	400	3	50	-	5	20	360	20	25	22	25
FMP15-PL	4 - 7	270	900	920	800	1330	450	3	90	1,5	5	28	360	20	25	32	30
FMP20-PL	5 - 9	440	1020	1080	900	1530	500	5	120	2	10	37	360	28	25	40	30
FMP33-PL	9 - 15	938	1258	1293	1200	1930	800	7	360	4	15	55	360	48	25	60	35
BIG TWEEZERS																	
FMP34-PL	15 - 20	1070	1470	1500	1200	1930	800	7	360	4	15	55	360	30	14	60	35
FMP40-PL	20 - 25	1735	1630	1640	1330	2290	940	7	610	6	20	57	360	30	14	62	35
FMP50-PL	23 - 30	1810	1665	1690	1330	2340	1030	7	670	6	20	70	360	30	14	90	35
FMP60-PL	29 - 40	2330	2056	2009	1500	2730	1030	7	1025	8	20	85	360	30	14	112	35

