



XC7-SV10

SKID STEER LOADER



SOLID TO SUCCEED



Operating Weight 4000kg

Bucket Capacity 0.6m³

Rated Power 53.7kW

Add:No. 99 Kunpeng North Road, Economic and Technological
Development Zone, Xuzhou City, Jiangsu Prvinctel
Zip code:221122

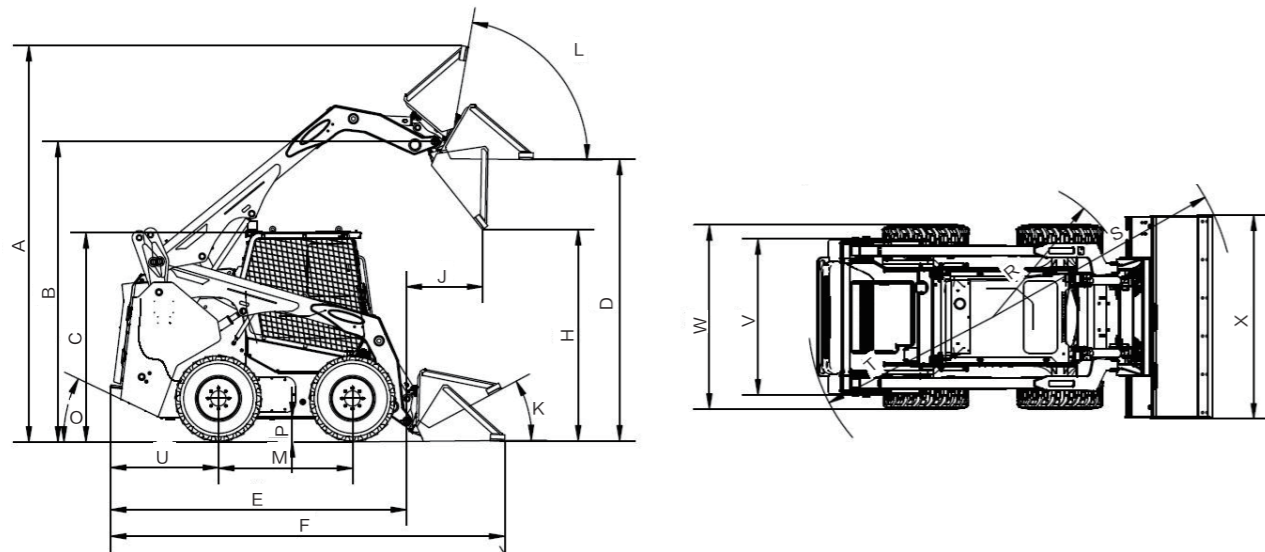
Version:N202505V1



XCMG OFFICIAL WEBSITE



MAIN SPECIFICATION



	Dimension and Specification	Parameter
A	Max.operation height	4144 mm
B	Height to the hinge pin	3166 mm
C	Height to top of cab	2040 mm
D	Clearance:level bucket	2997 mm
E	Overall length (without bucket)	2957 mm
F	Overall length	3884 mm
G	Dumping angle	48 °
H	Max.dumping height	2326 mm
K	Rollback angle:on the ground	30 °
L	Rack angle at full lift	91.5 °
J	Dumping reach	866 mm
M	Wheelbase	1320 mm
O	Departure angle	25 °
P	Ground clearance	205 mm
R	Front turning radius (without bucket)	1430 mm
S	Front turning radius (with bucket)	2337 mm
T	Rear turning radius	1806 mm
U	Length: rear	1060 mm
V	Wheel track	1500 mm
W	Width over tyres	1800 mm
X	Width over bucket	2000 mm

Category	Item	Parameter
Overall Parameter	Rated Load	1100 kg
	Tipping Load	2200 kg
	Operating Weight	4000 kg
	Max. Breakout Force	30 kN
	Max. Traction Force	32 kN
	Lifting Capacity at Max. Reach	2500 kg
Engine	Model	4TNV98CT-NTY
	Rated Power	53.7 kW
	Emission Stage	U.S. EPA Tier 4 Final/EU Stage V
	Rated Speed	2500 rpm
	Cooling Pattern	Hydrocooling
	Cylinder Amount	4
	Bore	96 mm
	Stroke	103 mm
	Displacement	3.319 L (pressurization)
	Max. Torque	291Nm@1625 rpm
Performance Parameter	Operation Mode	Electro-hydraulic proportional control
	Tyre	12-16.5-12PR
	Max. Speed	19 ± 5% km/h
Hydraulic System	Hydraulic Flow	80 L/min
	Hydraulic Flow (Convergence)	120 L/min
	Hydraulic Pressure	210 ± 10 bar
	Total Circle Time	11 s
Other	Bucket Capacity (High)	0.6 m ³
	Disel Tank Capacity	105 L
	Hydraulic Oil Tank Capacity	50 L

- The technology of XCMG wheel loaders is subject to constant improvement and upgrading. In case the specifications or detailed appearance contained in this brochure differ from actual products, the latter shall prevail.
- XCMG reserves the right of final interpretation for the above. Our products may be modified without prior notice to users.