



**VENIERI**  
SPA

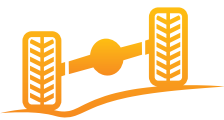
**1.63C**

**ARTICULATED  
WHEEL  
LOADER**





## Venierina



### PERFECT STABILITY.

Rear oscillating axle fitted (like big loaders) with **maintenance free supports**.



### REAR TOOL CARRIER.

Thanks to the **rear hydraulic and electric connections** you can easily add **rear attachments**.



### 50 HP OF PURE JAPANESE POWER.

Simplicity and reliability are the two main features that brought Venieri to choose **Yanmar** engines: the best in terms of power economy and emissions. 4 cylinders, direct injection, water cooled, paper dry filter. Emissions Stage IIIa/Tier III



### TYRE RANGE FOR ANY KIND OF APPLICATION.

**Big range of tyres** selected for **any kind of terrain and application**: industrial, agri, construction, etc.



### 100% VENIERI DESIGN.

As in all Venieri new machines, our **Venieri Design Center** follows the "family feelings" but introduces significant **stylistic innovations**.



### **VZPK KINEMATIK.**

**Venieri Z-Parallel Kinematic system** is engineered to reach maximum breakout force, granting **fully parallel movements**.



### **360 3D VIEW.**

Thanks to the VF 1.63C wide cabin you get a **full 360° view**, meaning a complete and safe control of the entire working area.



### **AUTOMOTIVE DISK BRAKE SYSTEM.**

Despite her compact size we also have installed **Disc Brake system**, generally mounted on big Loaders only: we take care about You.



### **3 CABINS 3 OPTIONS JUST 1 MACHINE.**

Feel free to configure your VF 1.63C with **3 different type of cabin**, following your needs and your working condition.



### **LED LAMP.**

Last generation of led lamp grant **maximum visibility** with **minimum absorb.**

# 1.63C

## WHEEL LOADER - "VZPK" Z-PARALLEL KINEMATIK



### DIESEL ENGINE

Engine: 4 cylinders, direct injection, water cooled, paper dry filter.

Emissioned according to Directive CE 97/68 Tier III

Type	Yanmar 4TNV88
Max power	36kW - 50 HP
Rated rpm	3.000
Net power ISO/TR 14396	35 kW - 48 HP
Net power EEC/80/1269	35 kW - 48 HP
Bore	in 3.46
Stroke	in 3.54
Displacement	in <sup>3</sup> 134



### ELECTRIC SYSTEM

Battery	12 Volt
Capacity EN 60095-1	80 Ah - 770 A
Alternator rating	65 A
Reverse warning	Standard
Wiring according to	IP 67 - DIN 40050



### TRANSMISSION

Hydrostatic transmission with automatic power regulation and closed circuit with variable-displacement pump and engine.

Two forward/reverse speeds with single-lever control.

<b>STD</b>	Forward	Backward
1 <sup>st</sup> gear mph	0÷4	0÷4
2 <sup>nd</sup> gear mph	0÷17	0÷17

<b>OPT</b>	Forward	Backward
1 <sup>st</sup> gear mph	0÷5	0÷5
2 <sup>nd</sup> gear mph	0÷25	0÷25*

\* with optional tyres



### AXLES

Two heavy duty axles with planetary final drives in each wheel. All wheel drive.

Fixed rigid drive axle on front chassis section.

Oscillating drive axle on rear chassis section up to a total angle of 24°.

Transfer gearbox transferring movement directly to the rear and to the front via a transmission shaft. Self-locking limited slip differential on front axle (optional on rear axle).



### BRAKES

Service: disk brake hydraulically operating on front axle, working on all wheels. Parking brake: mechanical drumbrake operating on service brake, manually actuated.



### TYRES

Standard	10.0/75-15,3
Optional	12.0-16,5 • 31-15.50 -15 • 420/55 R17 • 11 LR16



### STEERING

Servo assisted steering hydraulic LOAD SENSING system.

Total steering angle	90°
Inner tyres turning radius	ft in 4'7.83"
External tyres turning radius	ft in 9'3.18"
External bucket turning radius	ft in 10'6.73"



### HYDRAULIC SYSTEM

Hydraulic gear pump with LOAD SENSING priority valve for steering circuit.

3-section modular control valve with main relief valve. Double-acting hydraulic cylinders. Hydraulic oil cooling radiator.

Full-flow oil filter on the leakage pipe. Single cloche-lever arm control with 4-position lifting system and button auxiliary system.

Max flow	gpm 15.32
Loader relief valve pressure	psi 2,756
Steering relief valve pressure	psi 2,756
Lift cylinder	in 2.56"x25"
Bucket cylinder	in 3.35"x12.6"



### SERVICE CAPACITIES

Engine	gal 2.11
Front axle	gal 1.53
Rear axle + gear box	gal 1.72
Hydraulic circuit	gal 13.21
Brake system	gal 0.29
Fuel	gal 11.1
Water cooling	gal 2.38



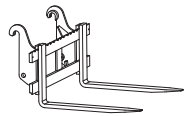
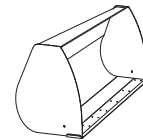
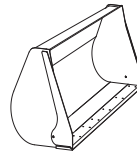
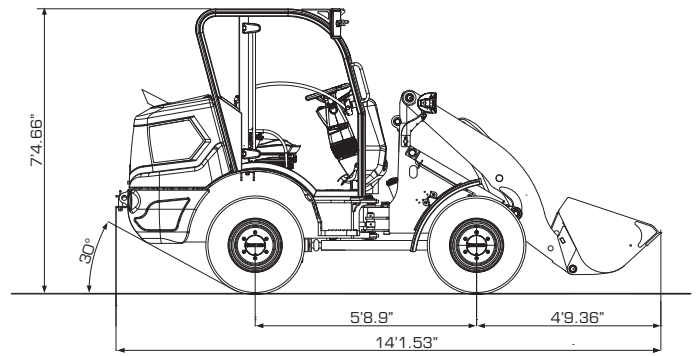
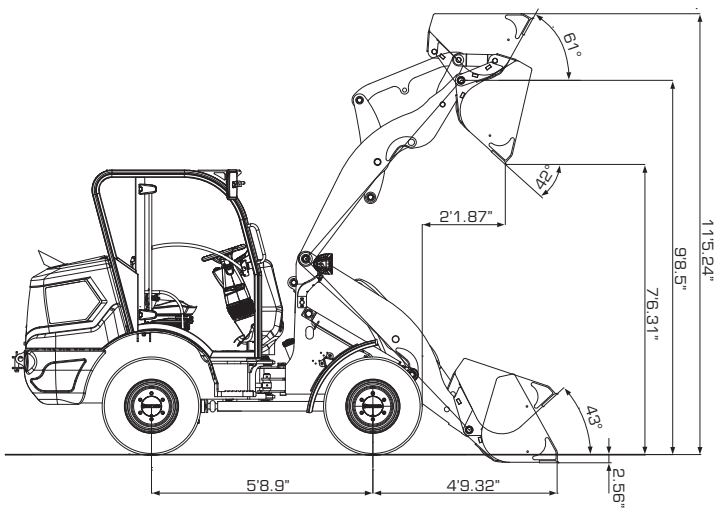
### TECHNICAL FEATURES

Standard bucket capacity	yd <sup>3</sup> 0.65
Standard bucket width	ft in 4'11.06"
Straight static tipping load	lbs 5,071
Full turned 45° tipping load	lbs 4,079
Lifting capacity at max. height	lbs 4,784
Pin height	ft in 9'8.54"
Dump height at 42°	ft in 7'6.16"
Reach at 42°	ft in 2'1.98"
Breakout force	lbs 8,466



### DIMENSIONS AND WEIGHTS

Max length in transfer position	ft in 14'1.29"
Max width in transfer position	ft in 4'11.06"
Max height	ft in 7'4.58"
Track width - standard tyres	ft in 3'7.31"
Overall standard tyre width	ft in 4'5.74"
Wheel base	ft in 5'8.9"
Ground clearance	in 13.58"
Standard operating weight	lbs 6,834
Max permissible weight	lbs 7,937



**UNIVERSAL  
BUCKET**

**OVERSIZE  
BUCKET**

**FORKS**

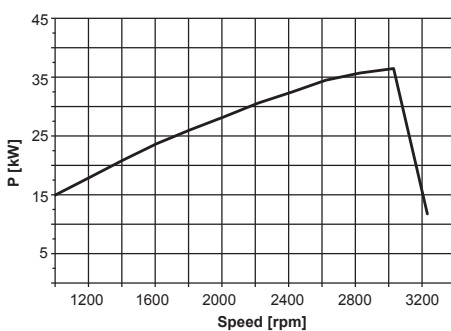


**PERFORMANCE DATA**

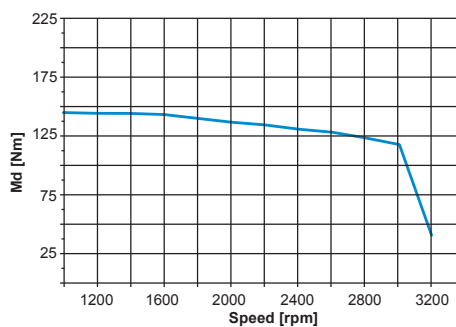
Full load bucket capacity (SAE)	yd <sup>3</sup>	0.65	1.05	/
Density	lb/yd <sup>3</sup>	3,034	1,686	/
Bucket width	ft in	4'11.06	5'6.93"	/
Bucket weight	lbs	397	397	/
Overall operating height, fully raised	ft in	11'5.4"	11'10.13"	/
Forks lengthh (standard)	ft in			3'3.37"
Forks lengthh (optional)	ft in			3'11.24"
Hinge pin height	ft in	9'8.54"	9'8.64"	/
Dump clearance	°	42°	42°	/
Dump height	ft in	7'6.35"	7'2.61"	/
Dump distance	ft in	2'1.98"	2'5.17"	/
Bucket static tipping load, straight	lbs	5,071	4,740	/
Bucket static tipping load, full turn (45°)	lbs	4,079	3,792	/
Forks static tipping load, full turn (45°)	lbs			3,042
Payload EN 474-3 (80%) [•]	lbs			2,434
Payload EN 474-3 (60%) [•]	lbs			1,825
Breakout force	lbs	8,466	7,163	/
Total displacement length	ft in	14'1.29"	14'4.36"	/
External bucket turning radius	ft in	10'6.77"	10'11.69"	/
Standard operating weight (Canopy version)	lbs	6,834	7,010	7,010

[•] Loading center 19.69"

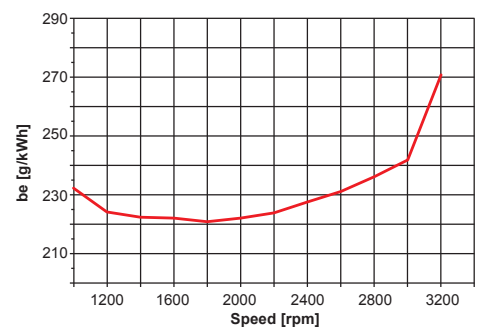
**POWER**



**TORQUE**



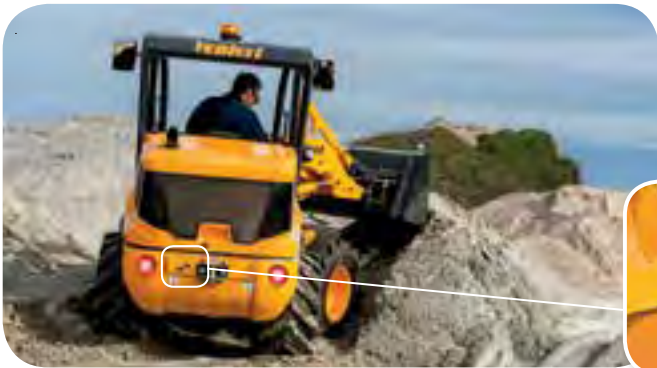
**FUEL CONSUMPTION**





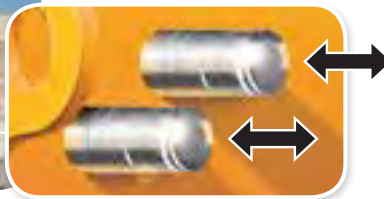
**VENIERI Z PARALLEL KINEMATIC SYSTEM:  
100% PARALLEL.**

The arm of VF 1,63C is equipped with a VZPK kinematic system that grants high breakout force while keeping fully parallel movements. The low bucket cylinder grants an excellent front visibility also in the middle of the arm, where normally it's not easy to see.



**VENIERI REAR HYDRAULIC LINE.**

In order to grant maximum versatility, VF 1.63C "Venierina" can be equipped with rear Hydraulic line to support rear attachments.



**CABIN**

CLOSE AND HEATED CABIN,  
WITH AIRCONDITION IN OPTION



**CANOPY**

CANOPY WITH RETROFITTABLE GLASS  
AND DOORS.



**ROLLBAR ROOF**

FOLDABLE ROLLBAR



**BASIC  
MACHINE**


Battery main switch	•
Tool box	•
Fuel preheating (cold climates)	0
Plugs with keys for fuel and hydraulic tanks	•
Proportional self lock front differential	•
Proportional self lock rear differential	0
Differential lock 100 % engageable in front axle	0
Trailer coupling	•
Warning beacon	•
Soundproofing	•
Spare parts catalogue	•
User manual	•
Type-approval for road traffic	•
Safety clamp for bucket and lifting cylinders	•
Autolevelling ground level for bucket	•
Speed reduction kit	0
"Veneri GLOBAL" system	-
Double-speed hydraulic fan	-
Reversible fan (for radiator cleaning)	-
Hydraulic negative parking brake	-
Service brake on front axle	•
Inch pedal integrated in brake pedal	0
Greasing points grouped on the frame	0
Automatic centralized greasing system	0
Ride control	0
Engine preheating system	0
Environmentally-friendly hydraulic oil	0
Hydraulic oil ISO 46 (cold climates)	0
Cyclone dust separator	0

**CABIN  
EQUIPMENT**


Foldable Roll-Bar homologated ROPS/FOPS I	0
4 post Canopy homologated ROPS/FOPS I	•
Closed cabin homologate ROPS/FOPS I, pressurized and soundproofed	0
Front and rear windscreen wiper with washer (only for closed cabin)	•
LED work lights (2 front + 2 rear)	•
Document compartment	•
Seat with mechanical suspension	•
Seat with pneumatic suspension	0
Seat with pneumatic suspension and heating	0
Seat armrests	-
Buzzer	•
Cabin carpet	•
Clothes hangers	0
Radio preparation (only for closed cabin)	•
Supplementary socket 12V	•
Manual Air Conditioning	0
„Climatronic Veneri" system	0
Ceiling lamp (only for closed cabin)	•
Sun visor	-
Rear view mirrors	•
Heatable rear view mirrors	0
First-aid kit	0
Fire extinguisher 4.41 lbs	0
Seat belt	•
Instrumentation and dashboard with LCD display	•
Safety glass breaker	0

**SPECIAL  
EQUIPMENT**


Hydraulic quick coupler	0
Cement mixing bucket	0
Multipurpose bucket (4 in 1)	0
Lifting forks	0
Agricultural fork with hydraulic grapple width	0
Grab for wrapped bales	0
Bucket with hydraulic grapple	0
Front cutting head	0
Asphalt and cement planer	0
Snow blower	0
Snow blade and "V" type snow blade	0
Angle-tilt dozer blade	0
Hand operating hammer	0
Polishing brush	0
Trencher	0
Auger	0
High tip bucket	0
high flow kit	0
Unpressurized return pipe	0
Double auxiliary line	0
Rear hydraulic line (single effect)	0

# STANDARD EQUIPMENTS\*

\* Equipments available on stock; others on request.



**ANGLE ROLL  
SWEPER**



**SWEEPER**



**MIXING BUCKET**



**4 IN 1 BUCKET**



**ANGLE DOZER  
BLADE**



**SNOW BLADE**



**GRAB FOR  
WRAPPED BALES**



**GRAPPLE BUCKET**



**GRAPPLE FORK**



**GRASS CUTTER**



**FRONT  
CUTTING HEAD**



**ROUND BALE FORK**



**LASER ANGLE  
DOZER BLADE**



**AUGER**



**SNOW BLOWER**



**PALLET FORK**



**VENIERI**

Via Piratello, 106 - 48022 Lugo (RA) ITALY  
Tel. +39 0545 904411 - Fax +39 0545 30389  
e-mail: info@vf-venieri.com  
[www.vf-venieri.com](http://www.vf-venieri.com)

*The illustrations on the present folder do not necessarily show the product standard version. Data and dimensions described in this folder are not binding. Venieri reserves the right of carrying out possible changes at any time and without previous notice because of its policy of steady development and improvement of the products.*