

# Dynapac CC2300C

## Combi rollers



### Technical data



#### Masses

Max. operating mass	8650 kg
Operating mass (incl. ROPS)	7600 kg
Module mass (front/rear)	4050 kg/3550 kg



#### Traction

Speed range (Dual/TC/AS)	0-12 km/h
Vertical oscillation	±7
Theor. gradeability	46 %



#### Compaction

Wheel load	888 (kg/wheel)
Centrifugal force (high/low amplitude)	72/59 kN
Nominal amplitude (high/low)	0.50/0.20 mm
Static linear load	27.0 kg/cm
Vibration frequency (high/low amplitude)	48/67 Hz
Water tank	750 l
Emulsion tank	78 l
Split drums	Yes



#### Engine

Manufacturer/Model	Deutz TCD 3.6 IIIIB/T4i
Type	Water cooled turbo Diesel
Rated power, SAE J1995	75 kW (100 hp ) @ 2200 rpm
Fuel tank capacity	130 l



#### Engine

Manufacturer/Model	Cummins QSB 3.3 IIIA/T3
Type	Water cooled turbo Diesel
Rated power, SAE J1995	74 kW (99 hp ) @ 2200 rpm



#### Hydraulic system

Driving	Axial piston pump with variable displacement. Axial piston motors (4) with variable displacement.
Vibration	Axial piston pump with variable displacement. Axial piston motor with constant displacement.
Steering	Gear pump with constant displacement.
Service brake	Hydrostatic in forward and reverse lever.
Parking/ Emergency brake	Failsafe multidisc brake in both drums.

Find us locally at [www.dynapac.com](http://www.dynapac.com)

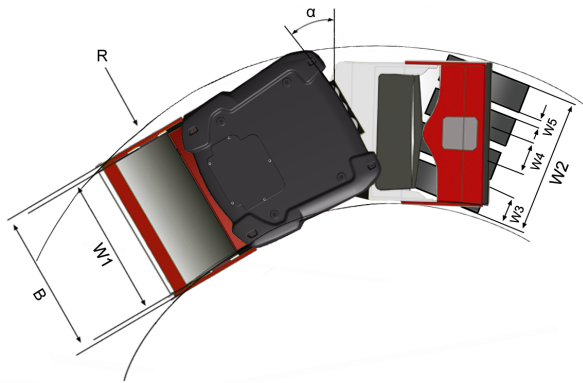
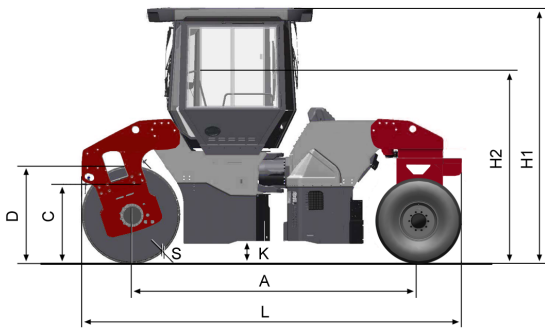
We reserve the right to change specifications without notice. Photos and illustrations do not always show standard versions of machines.  
The above information is a general description only, all informations are supplied without liability.

# Dynapac CC2300C

## Combi rollers



### Technical data



Dimensions	
A. Wheelbase	3340 mm
B. Width	1620 mm
C. Curb clearance	715 mm
D. Drum diameter	1150 mm
H1. Height, with ROPS/cab	2990 mm
H2. Height, w/o ROPS/cab	2275 mm
K. Ground clearance	270 mm
L. Length	4490 mm
R. Turning radius, outside	5224 mm
S. Drum shell thickness	17 mm
W1. Drum width	1500 mm
W2. Width, wheel module	1454 mm
W3. Width, tyre	285 mm
W4. Wheel track	441 mm
W5. Wheel spacing	75 mm
α. Steering angle	±32°

Find us locally at [www.dynapac.com](http://www.dynapac.com)

We reserve the right to change specifications without notice. Photos and illustrations do not always show standard versions of machines. The above information is a general description only, all informations are supplied without liability.