

Engine B3.3NA T4i

Engine power 48,0 kW - 64,4 HP

Operating Weight 2.750 kg

ESK 150.5

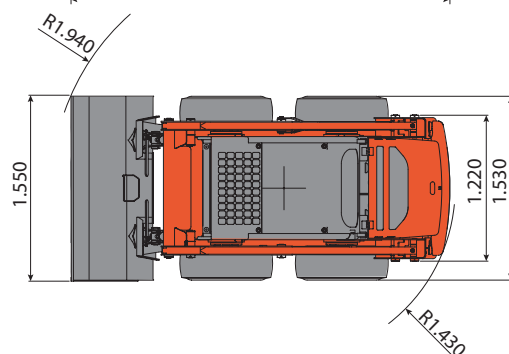
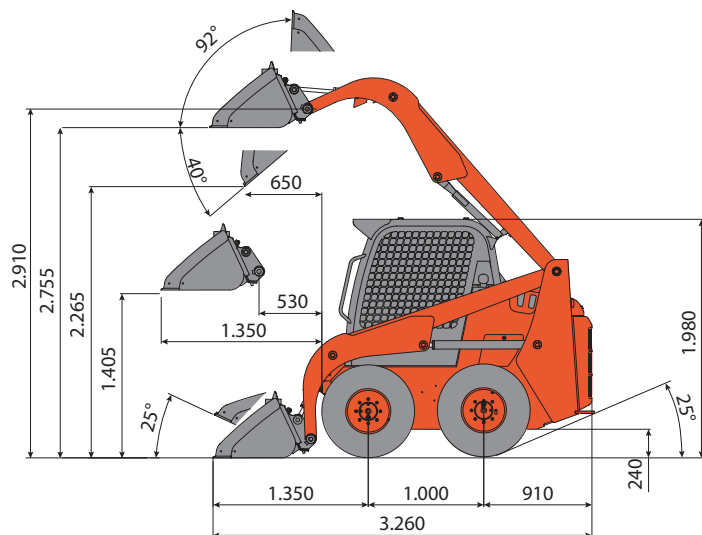
Concrete solutions. Always



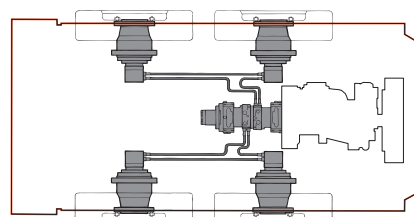
TECHNICALS SPECIFICATIONS

Operating weight	kg	2.750
ENGINE		
Type	CUMMINS B3.3NA T4i EU Stage IIIA	
Max Power (2.600 rpm)	kW - HP	48,0 - 64,4
Max torque (1.600 rpm)	Nm	214
Displacement	cc	3.300
Number of cylinders	n°	4 in line
Cooling	water	
Consumption	lt/h	10,8
Alternator	V (A)	12 (60)
Battery	V (Ah)	12 (100/750)
HYDRAULIC SYSTEM		
Pump type	n.1 with gears for services	
Pump capacity	lt/min	60
Max. circuit calibration pressure	bar	190
Auxiliary system:	Max capacity	lt
	Max pressure	bar
		190
High Flow System (optional):	Max capacity	lt
	Max pressure	bar
		190
TRANSMISSION		
Type	Hydrostatic with double pump and 4 gearboxes on the wheels type TRASMITAL-DANFOSS	
Travelling speed	km/h	1 ^a : 0 ÷ 11,5
Traction force	daN	2.390
Dimensions tires	10x16,5	
BRAKES		
Service brakes	Hydrostatic	
Parking brakes	Negative with multiple disks into oil bath, integrated on the rear gearboxes at electrohydraulic control	
Emergency brakes	Electrohydraulic control, acting on parking brakes (integrated on the rear gearboxes)	
PERFORMANCES		
Tipping load (ISO 14397)	kg	1.360
Operating load (ISO 14397, no more than 50% of tipping load)	kg	680
Teeth breakout force	daN	1.650
Standard bucket capacity	m ³	0,38
Standard bucket width	mm	1.550
Max slope	60% - 30°	
FILLINGS		
Fuel tank	lt	75
Hydraulic oil tank	lt	60
Hydraulic circuit capacity	lt	75
Cooling system capacity	lt	18
Engine oil	lt	9,5
CONTROLS		
Type	Ergonomic joystick with security block on board	
Translation	Driven by left joystick	
Services	Driven by right joystick for lifting and bucket	
Lifting mechanism	Bucket self-levelling system standard (only when lifting the arm)	

ESK 150.5



Hydrostatic transmission



The gearboxes, compared with the traditional transmission by chain, which is subject to frequent repair and maintenance operations, have many advantages such as an elevated transfer speed (11,5 km/h), homogenous distribution of the power directly on the wheels in favour of the force, a higher sensibility of movements, the favourable possibility to work if need be, mounting old and new tyres on the same side without compromising the reliability of the machine.

- Homologation for road traffic (only Italy).
- ROPS ISO 3471 and FOPS 3449 homologated cabin with hardened upper and rear standard glasses (side glasses on demand).
- Front and back working lights for night road circulation.



EUROCOMACH®

MADE IN ITALY

Sampierana S.p.a.

47021 S.Piero in Bagno (FO)

via Leonardo da Vinci, 40

Tel +39 0543.904211

Fax +39 0543.918520

www.eurocomach.com