

Engine 2TNV70
Engine power 7,6 kW - 10,0 HP
Operating Weight 1.060 kg

ES 10 ZT

Concrete solutions. Always



TECHNICALS SPECIFICATIONS

Operating weight with folding bar	kg	1.060
Operating weight with canopy	kg	1.060
Travelling speed	km/h	1 ^a : 0 ÷ 1,8 / 2 ^a : 0 ÷ 3,8
Slew speed	rpm	9,5

ENGINE

Type	YANMAR 2TNV70	
Max Power (2.300 rpm)	kW - HP	7,6 - 10,0
Displacement	cc	570
Number of cylinders	n°	2
Cooling	water	
Consumption	lt/h	1,6
Alternator	V (A)	12 (40)
Battery	V (Ah)	12 (45)

HYDRAULIC SYSTEM

Pump type	n°2 gear pumps	
Pump displacement	cc	4,8 + 4,8
Pump capacity	lt/min	23
Max. circuit calibration pressure	bar	170
Auxiliary system:	Max capacity	lt/min
	Max pressure	bar
		23
		180

PERFORMANCES

Max digging depth standard arm (optional arm)	mm	1.620 (1.770)
Max dumping height standard arm (optional arm)	mm	2.070 (2.180)
Bucket breaking force (standard arm) ISO 6015	daN	1.010
Arm breaking force (standard arm) ISO 6015	daN	752
Traction force	daN	1.050
Ground bearing pressure with folding bar (with canopy)	kg/cm ²	0,32 (0,32)
Max slope	60% - 30°	

DIMENSIONS

Maximum width	mm	760 - 990
Total height	mm	2.260
Rear rotation radius	mm	500
Digging arm length std (optional)	mm	750 (900)
Tracks width	mm	180
Rollers number (for each side)	n°	2

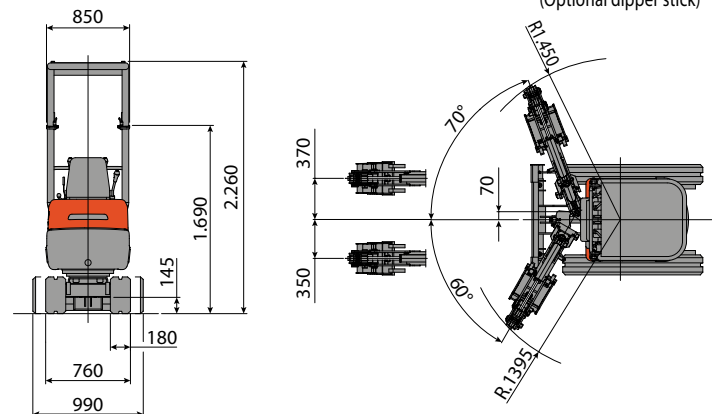
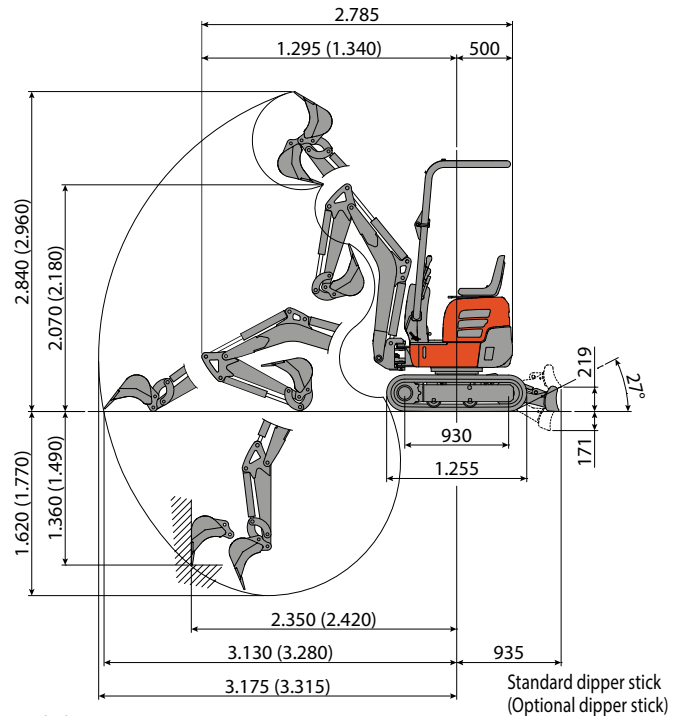
FILLINGS

Fuel tank	lt	9,5
Hydraulic oil tank	lt	9,5
Hydraulic circuit capacity	lt	15
Cooling system capacity	lt	5
Engine oil	lt	1,5

CONTROLS

Boom, dipper stick, bucket and turret swing	2 levers
Track movements (included counter rotation)	2 levers
Dozer blade	mechanical lever
Auxiliary circuit (simple or double effect)	left pedal
Boom swing	right pedal

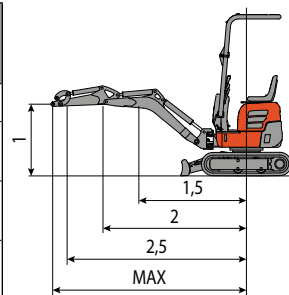
ES 10 ZT



LIFTING CAPACITY

Opening arm from the rotation's center (m)
Lifting capacity (kg) at 1.0 m height

	1,5	2	2,5	MAX
Frontal and lowered dozer blade	335	235	200	175
Frontal and lifted dozer blade	290	175	125	105
Lateral, open undercarriage	335	190	115	90



The lifting capacity is based on the ISO 10567 and it does not exceed more than the 75% of static tipping load or more than the 87% of the hydraulic lifting capacity of the machine.



EUROCOMACH[®]

MADE IN ITALY



Sampierana S.p.a.

47021 S.Piero in Bagno (FO)

via Leonardo da Vinci, 40

Tel +39 0543.904211

Fax +39 0543.918520

www.eurocomach.com